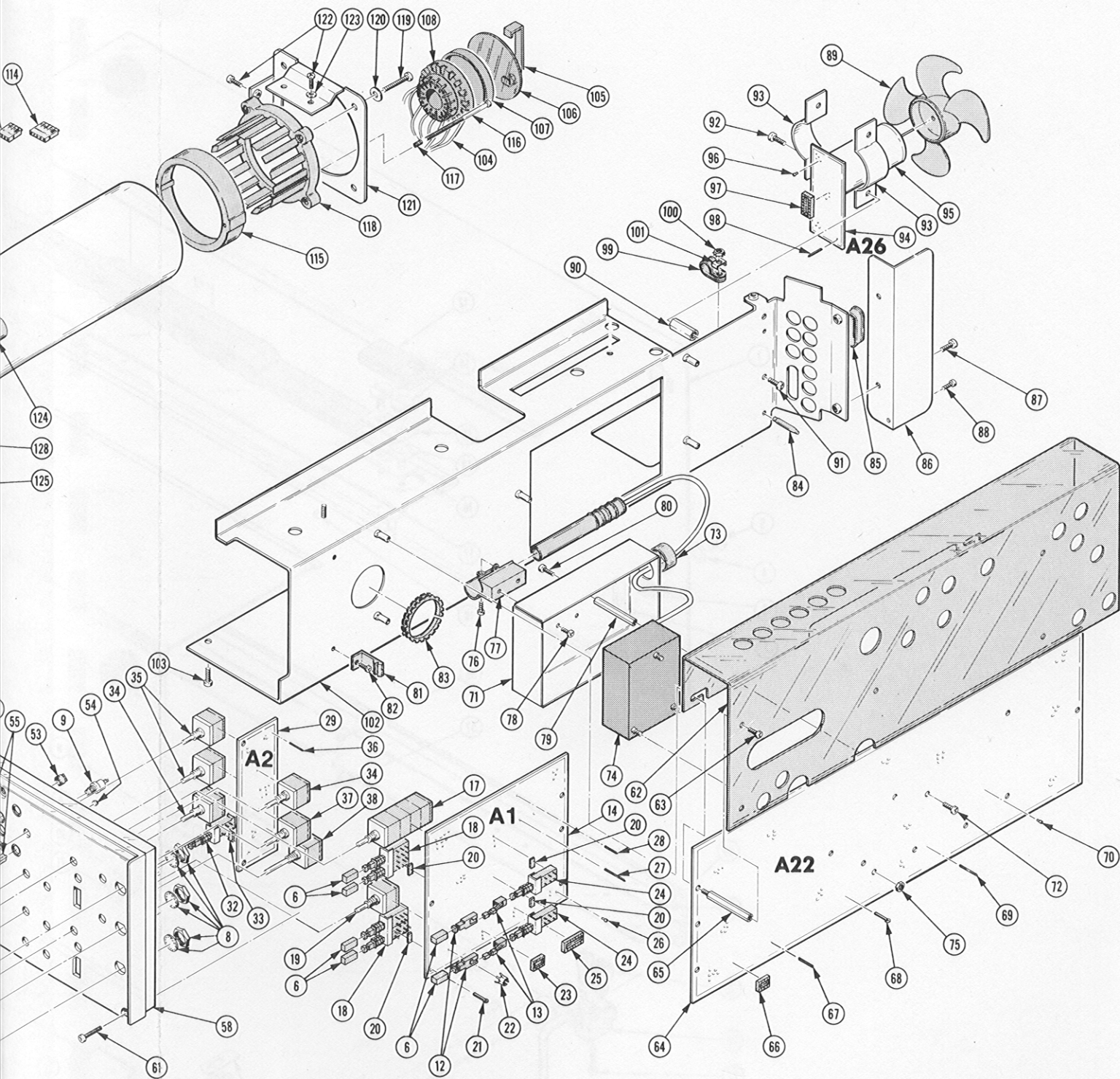
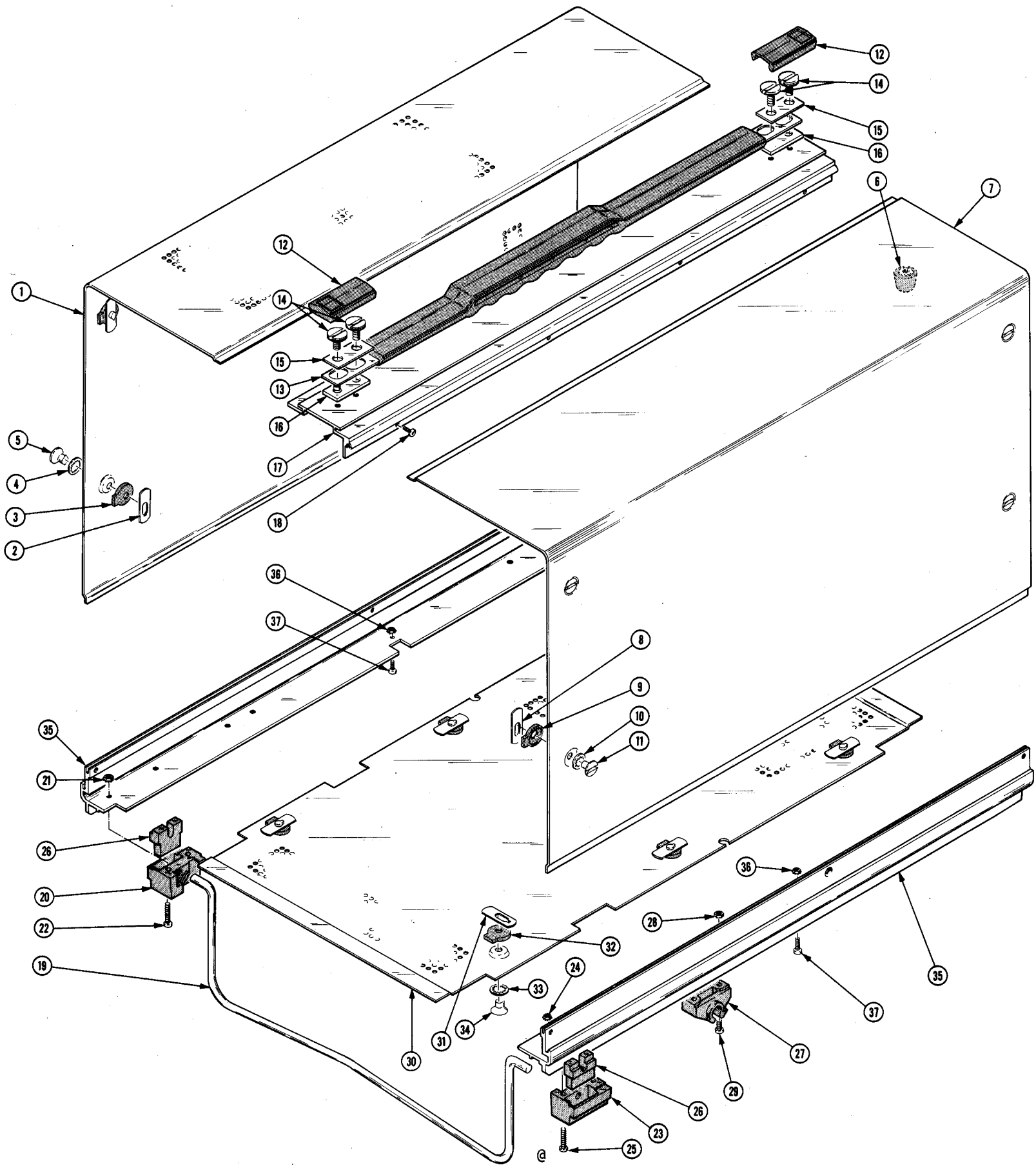


7104 OSCILLOSCOPE





Replaceable Mechanical Parts—7104

Fig. & Index No.	Tektronix Part No.	Serial/Model No. Eff	Dscont	Qty	1 2 3 4 5	Name & Description	Mfr Code	Mfr Part Number
3-1	-----			1		CKT BOARD ASSY:HORIZONTAL CRT(SEE A29 EPL)		
-2	136-0388-00			2		. SOCKET,PIN TERM:U/W 0.04 DIA PIN	71279	450-3704-01-03-0
-3	-----			1		RES,FXD,FILM:(SEE R1099 EPL) (ATTACHING PARTS)		
-4	211-0504-00			2		SCREW,MACHINE:6-32 X 0.25 INCH,PNH STL - - - * - - -	83385	OBD
-5	210-0205-00			1		TERMINAL,LUG:SE #8	78189	2104-08-00-2520N
-6	-----			1		CKT BOARD ASSY:HORIZONTAL CRT(SEE A30 EPL)		
-7	136-0388-00			2		. SOCKET,PIN TERM:U/W 0.04 DIA PIN	71279	450-3704-01-03-0
-8	-----			1		CKT BOARD ASSY:CRT TERMINATOR(SEE A18 EPL) (ATTACHING PARTS)		
-9	211-0259-00			2		SCR,ASSEM WSHR:2-56 X 0.437,PNH,STL CD PL	78189	OBD
-10	211-0260-00			2		SCR,ASSEM WSHR:2-56 X 0.6875L,PNH,STL CD - - - * - - -	78189	OBD
	-----			-		. CKT BOARD ASSY INCLUDES:		
-11	131-0589-00			1		. TERM,PIN:0.46 L X 0.025 SQ.PH BRZ GL	22526	47350
-12	214-2543-00			1		HT SK,MICROCKT:MICROCIRCUIT	80009	214-2543-00
-13	426-1351-00			1		FRAME SECT,CAB.:REAR PANEL,LEFT & RIGHT	80009	426-1351-00
-14	131-1937-00			1		CONTACT,GROUND:GROUNDING,CU BE CD PL	80009	131-1937-00
-15	-----			1		SWITCH,THRMSTC:(SEE S70 EPL) (ATTACHING PARTS)		
-16	211-0007-00			2		SCREW,MACHINE:4-40 X 0.188 INCH,PNH STL - - - * - - -	83385	OBD
-17	-----			2		CKT BOARD ASSY:VERTICAL CRT(SEE A31 EPL)		
	-----			-		. EACH CKT BOARD INCLUDES:		
-18	136-0388-00			3		. SOCKET,PIN TERM:U/W 0.04 DIA PIN	71279	450-3704-01-03-0
-19	-----			1		CKT BOARD ASSY:VERTICAL AMP(SEE A17 EPL) (ATTACHING PARTS)		
-20	211-0116-00			4		SCR,ASSEM WSHR:4-40 X 0.312 INCH,PNH BRS	83385	OBD
-21	211-0260-00			4		SCR,ASSEM WSHR:2-56 X 0.6875L,PNH,STL CD - - - * - - -	78189	OBD
	-----			-		. CKT BOARD ASSY INCLUDES:		
-22	136-0514-00			4		. SOCKET,PLUG IN:MICROCIRCUIT,8 CONTACT	82647	C93-08-18
-23	214-0579-00			15		. TERM.,TEST PT:BRS CD PL	80009	214-0579-00
-24	426-1351-00			3		. FRAME SECT,CAB.:REAR PANEL,LEFT & RIGHT (ATTACHING PARTS FOR EACH)	80009	426-1351-00
-25	211-0259-00			4		. SCR,ASSEM WSHR:2-56 X 0.437,PNH,STL CD PL	78189	OBD
-26	220-0797-00			4		. NUT,CAPTIVE:2-56 X 0.218 DIA,STL CD PL - - - * - - -	46384	KF2-256
-27	131-1967-00			3		. CONT SET,ELEC:MICROCKT,1.75CM,RUBBER	80009	131-1967-00
-28	131-0608-00			20		. TERMINAL,PIN:0.365 L X 0.25 PH,BRZ,GOLD PL	22526	47357
-29	131-0589-00			7		. TERM,PIN:0.46 L X 0.025 SQ.PH BRZ GL	22526	47350
-30	131-2269-00			1		. CONTACT,ELEC:DUAL,TOP	80009	131-2269-00
-31	131-2020-00			1		. CONTACT,ELEC:DUAL,TOP,BERYLLIUM COPPER (ATTACHING PARTS)	80009	131-2020-00
-32	210-0629-00			3		. EYELET,METALLIC:0.059 OD X 0.093 L,BRS - - - * - - -	80009	210-0629-00
-33	136-0252-00			2		. SOCKET,PIN TERM:0.145 INCH LONG	00779	2-330808-7
-34	136-0252-04			51		. SOCKET,PIN TERM:0.188 INCH LONG	22526	75060
-35	131-2022-00			1		. CONTACT,ELEC:DUAL,BOTTOM,CU BE	80009	131-2022-00
-36	214-2543-00			1		. HT SK,MICROCKT:MICROCIRCUIT	80009	214-2543-00
-37	-----			1		CRT BOARD ASSY:HORIZONTAL AMP(SEE A19 EPL) (ATTACHING PARTS)		
-38	211-0116-00			6		SCR,ASSEM WSHR:4-40 X 0.312 INCH,PNH BRS	83385	OBD
-39	211-0260-00			4		SCR,ASSEM WSHR:2-56 X 0.6875L,PNH,STL CD - - - * - - -	78189	OBD
	-----			-		. CKT BOARD ASSY INCLUDES:		
-40	131-0608-00			13		. TERMINAL,PIN:0.365 L X 0.25 PH,BRZ,GOLD PL	22526	47357
-41	426-1351-00			2		. FRAME SECT,CAB.:REAR PANEL,LEFT & RIGHT (ATTACHING PARTS FOR EACH)	80009	426-1351-00
-42	211-0259-00			2		. SCR,ASSEM WSHR:2-56 X 0.437,PNH,STL CD PL - - - * - - -	78189	OBD

Replaceable Mechanical Parts—7104

Fig. & Index No.	Tektronix Part No.	Serial/Model No. Eff Dscont	Qty	1	2	3	4	5	Name & Description	Mfr Code	Mfr Part Number
3-43	131-1967-00		2	.	CONT SET,ELEC:MICROCKT,1.75CM,RUBBER					80009	131-1967-00
-44	426-1352-00		1	.	FRAME,MICROCKT:1.75 CM,STEPPED (ATTACHING PARTS)					80009	426-1352-00
-45	220-0797-00		4	.	NUT,CAPTIVE:2-56 X 0.218 DIA,STL CD PL					46384	KF2-256
-46	211-0259-00		4	.	SCR,ASSEM WSHR:2-56 X 0.437,PNH,STL CD PL - - - * - - -					78189	OBD
-47	131-1923-00		1	.	CONTACT,ELEC:MICROCIRCUIT					80009	131-1923-00
-48	131-0566-00		17	.	LINK,TERM.CONNE:0.086 DIA X 2.375 INCH L					55210	L-2007-1
-49	131-0993-00		1	.	LINK,TERM.CONNE:2 WIRE BLACK					00779	530153-2
-50	426-1337-00		1	.	FRAME,MICROCKT:1.22 CM (ATTACHING PARTS)					80009	426-1337-00
-51	220-0797-00		4	.	NUT,CAPTIVE:2-56 X 0.218 DIA,STL CD PL					46384	KF2-256
-52	211-0259-00		4	.	SCR,ASSEM WSHR:2-56 X 0.437,PNH,STL CD PL - - - * - - -					78189	OBD
-53	131-1968-00		1	.	CONT SET,ELEC:MICROCKT,1.75CM,RUBBER					80009	131-1968-00
-54	136-0252-00		61	.	SOCKET,PIN TERM:0.188 INCH LONG					22526	75060
-55	214-0579-00		5	.	TERM.,TEST PT:BRS CD PL					80009	214-0579-00
-56	131-1003-00		4	.	CONNECTOR BODY,:CKT BD MT,2 PRONG					80009	131-1003-00
-57	131-0589-00		1	.	TERM,PIN:0.46 L X 0.025 SQ.PH BRZ GL					22526	47350
-58	136-0269-02		1	.	SOCKET,PLUG-IN:14 CONTACT,LOW CLEARANCE					01295	C95140
-59	136-0514-00		4	.	SOCKET,PLUG IN:MICROCIRCUIT,8 CONTACT					82647	C93-08-18
-60	214-2543-00		2	.	HT SK,MICROCKT:MICROCIRCUIT					80009	214-2543-00
-61	200-2079-00		1	.	COVER,PLENUM: (ATTACHING PARTS)					80009	200-2079-00
-62	211-0232-00		4	.	SCREW,MACHINE:4-40 X 0.25 INCH,FIL STL - - - * - - -					83385	OBD
-63	-----		1	.	CKT BOARD ASSY:Z AXIS(SEE A21 EPL) (ATTACHING PARTS)						
-64	211-0008-00		3	.	SCREW,MACHINE:4-40 X 0.25 INCH,PNH STL - - - * - - -					83385	OBD
-65	200-2081-00		-	.	CKT BOARD ASSY INCLUDES: 1 . COVER,CKT CD: (ATTACHING PARTS)					80009	200-2081-00
-66	211-0040-00		2	.	SCREW,MACHINE:4-40 X 0.25",BDGH PLSTC - - - * - - -					26365	OBD
-67	385-0107-00		2	.	SPACER,POST: (ATTACHING PARTS FOR EACH)					80009	385-0107-00
-68	211-0040-00		1	.	SCREW,MACHINE:4-40 X 0.25",BDGH PLSTC - - - * - - -					26365	OBD
-69	136-0252-04		59	.	SOCKET,PIN TERM:0.188 INCH LONG					22526	75060
-70	214-0579-00		4	.	TERM.,TEST PT:BRS CD PL					80009	214-0579-00
-71	131-1003-00		2	.	CONNECTOR BODY,:CKT BD MT,2 PRONG					80009	131-1003-00
-72	131-0608-00		15	.	TERMINAL,PIN:0.365 L X 0.25 PH,BRZ,GOLD PL					22526	47357
-73	386-1559-00		2	.	SPACER,CKT CARD:PLASTIC					80009	386-1559-00
-74	348-0253-00		2	.	GROMMET,PLASTIC:1.24 X 0.739 X 0.108" OA					80009	348-0253-00
-75	348-0056-00		1	.	GROMMET,PLASTIC:0.375 INCH DIA					80009	348-0056-00
-76	386-3727-00		1	.	SUBPANEL,REAR:UPPER (ATTACHING PARTS)					80009	386-3727-00
-77	211-0232-00		2	.	SCREW,MACHINE:4-40 X 0.25 INCH,FIL STL					83385	OBD
-78	211-0504-00		2	.	SCREW,MACHINE:6-32 X 0.25 INCH,PNH STL - - - * - - -					83385	OBD
-79	426-0809-05		1	.	FRAME PNL,CAB.:UPPER REAR (ATTACHING PARTS)					80009	426-0809-05
-80	213-0270-00		3	.	SCR,TPG,THD FOR:10-32 X 0.75 INCH FILH STL - - - * - - -					83385	OBD
-81	426-1411-00		2	.	FRAME SECT,CAB.:BOTTOM LEFT					80009	426-1411-00
-82	342-0313-00		2	.	INSULATOR,BSHG:0.437 ID X 0.567 INCH OD					28520	SB-562-7
-83	386-3732-00		1	.	DELAY LINE:(SEE DL1155 EPL) 2 . PLATE,DLY LINE: (ATTACHING PARTS FOR EACH)					80009	386-3732-00
-84	212-0087-00		2	.	SCR,TPG,THD CTG:8-32 X 0.375,T,TRH,STL - - - * - - -					83385	OBD

Replaceable Mechanical Parts—7104

Fig. & Index No.	Tektronix Part No.	Serial/Model No. Eff Dscont	Qty	1	2	3	4	5	Name & Description	Mfr Code	Mfr Part Number
3-85	361-0845-00		4	.					SPACER,DLY LINE:1.5 OD X 2.0 INCH LONG (ATTACHING PARTS FOR EACH)	80009	361-0845-00
-86	212-0087-00		2	.					SCR,TPG,THD CTG:8-32 X 0.375,T,TRH,STL -----*-----	83385	OBD
-87	175-2025-00		FT	.					CABLE,RF:50 OHM COAX,NAT VINYL JKT	80009	175-2025-00
-88	386-3732-00		2	.					PLATE,DLY LINE: (ATTACHING PARTS FOR EACH)	80009	386-3732-00
-89	212-0023-00		2	.					SCREW,MACHINE:8-32 X 0.375 INCH,PNH STL -----*-----	83385	OBD
-90	343-0013-00		3	.					CLAMP,LOOP:0.375 INCH DIA (ATTACHING PARTS FOR EACH)	95987	3-8-6B
-91	210-0458-00		1	.					NUT,PLAIN,EXT W:8-32 X 0.344 INCH,STL	83385	OBD
-92	210-0863-00		1	.					WSHR,LOOP CLAMP:FOR 0.50" WIDE CLAMP,STL -----*-----	95987	C191
-93	348-0064-00		1	.					GROMMET,PLASTIC:0.625 INCH DIA	80009	348-0064-00
-94	426-1412-00		1	.					FRAME SECT,CAB:CENTER (ATTACHING PARTS)	80009	426-1412-00
-95	212-0008-00		2	.					SCREW,MACHINE:8-32 X 0.500 INCH,PNH STL -----*-----	83385	OBD
-96	426-1414-00		1	.					FRAME SECT,CAB:LEFT (ATTACHING PARTS)	80009	426-1414-00
-97	211-0507-00		4	.					SCREW,MACHINE:6-32 X 0.312 INCH,PNH STL -----*-----	83385	OBD
-98	343-0747-00		2	.					CLAMP,DLY LINE:TOP (ATTACHING PARTS FOR EACH)	80009	343-0747-00
-99	211-0578-00		3	.					SCREW,MACHINE:6-32 X 0.438 INCH,PNH STL -----*-----	83385	OBD
-100	343-0748-00		2	.					CLAMP,DLY LINE:BOTTOM (ATTACHING PARTS FOR EACH)	80009	343-0748-00
-101	211-0578-00		1	.					SCREW,MACHINE:6-32 X 0.438 INCH,PNH STL -----*-----	83385	OBD
-102	343-0691-00		2	.					CLAMP,DLY LINE:BOTTOM (ATTACHING PARTS FOR EACH)	80009	343-0691-00
-103	212-0010-00		3	.					SCREW,MACHINE:8-32 X 0.625 INCH,PNH STL -----*-----	83385	OBD
-104	343-0690-00		2	.					CLAMP,DLY LINE:TOP	80009	343-0690-00
-105	343-0700-00		4	.					CLAMP,CABLE:0.319 ID,BRS	80009	343-0700-00

Replaceable Mechanical Parts—7104

Fig. & Index No.	Tektronix Part No.	Serial/Model No. Eff	Dscont	Qty	1 2 3 4 5	Name & Description	Mfr Code	Mfr Part Number
4-1	426-0681-00			1		FR,PUSH BUTTON:GRAY PLASTIC	80009	426-0681-00
-2	426-1072-00			3		FRAME,PUSH BTN:PLASTIC	80009	426-1072-00
-3	426-0568-00			9		FR,PUSHBUTTON:PANEL MOUNT	80009	426-0568-00
-4	366-1023-01			1		KNOB:GRAY	80009	366-1023-01
	213-0246-00			1		. SETSCREW:5-40 X 0.94,STL BK OXD,HEX	71159	OBD
-5	358-0599-00			1		BUSHING,SLEEVE:0.125 ID X 0.234 THK,PLSTC	28520	B-187-125
-6	333-2318-00			1		PANEL,FRONT:LOWER	80009	333-2318-00
						(ATTACHING PARTS)		
-7	213-0055-00			5		SCR,TPG,THD FOR:2-32 X 0.188 INCH,PNH STL	93907	OBD
						- - - * - - -		
-8	131-1315-00			1		CONNECTOR,RCPT,:BNC,FEMALE	24931	28JR235-1
-9	337-1543-00			1		SHLD GSKT,ELECT:2.50 INCHES LONG	80009	337-1543-00
-10	337-1542-00			1		SHLD GSKT,ELECT:2.10 INCHES LONG	80009	337-1542-00
	129-0103-00			1		POST,BDG,ELEC:ASSEMBLY	80009	129-0103-00
						(ATTACHING PARTS)		
-11	210-0583-00			1		NUT,PLAIN,HEX.:0.25-32 X 0.312 INCH,BRS	73743	2X20224-402
-12	210-0046-00			1		WASHER,LOCK:INTL,0.26 ID X 0.40" OD,STL	78189	1214-05-00-0541C
						- - - * - - -		
						. POST ASSY INCLUDES:		
-13	200-0103-00			1		NUT,PLAIN,KNURL:0.25-28 X 0.375" OD,BRASS	80009	200-0103-00
-14	129-0077-00			1		. STUD,SHOULDERED:0.938 INCH LONG,BRASS	80009	129-0077-00
-15	348-0204-00			1		. SHLD GSKT,ELEK:FINGER TYPE,10.65 INCH LONG	80009	348-0204-00
-16	351-0509-00			2		GUIDE,PUSH BTN:THREE LAMP	80009	351-0509-00
						(ATTACHING PARTS FOR EACH)		
-17	210-0405-00			2		NUT,PLAIN,HEX.:2-56 X 0.188 INCH,BRS	73743	2X12157-402
-18	211-0030-00			2		SCREW,MACHINE:2-56 X 0.25"82 DEG,FLH STL	83385	OBD
						- - - * - - -		
-19				2		CKT BOARD ASSY:TRIG LIGHT A & B(SEE A3,A4 EPL)		
-20	131-0608-00			4		. TERMINAL,PIN:0.365 L X 0.25 PH,BRZ,GOLD PL	22526	47357
-21	426-0806-03			1		FRAME PNL,CAB.:LOWER FRONT	80009	426-0806-03
						(ATTACHING PARTS)		
-22	213-0270-00			4		SCR,TPG,THD FOR:10-32 X 0.75 INCH FILH STL	83385	OBD
						- - - * - - -		
-23	366-1480-02			1		PUSH BUTTON:GRAY	80009	366-1480-02
-24	366-1559-00			3		PUSH BUTTON:GRAY	80009	366-1559-00
-25	366-1161-57			1		PUSH BUTTON:GRAY--LEFT	80009	366-1161-57
-26	366-1161-31			2		PUSH BUTTON:GRAY--ALT	80009	366-1161-31
-27	366-1161-27			1		PUSH BUTTON:GRAY--ADD	80009	366-1161-27
-28	366-1161-30			2		PUSH BUTTON:GRAY--CHOP	80009	366-1161-30
-29	366-1161-58			1		PUSH BUTTON:GRAY--RIGHT	80009	366-1161-58
-30	366-1650-00			6		PUSH BUTTON:CLEAR,0.184 X0.214 X 8.0 L	80009	360-1650-00
-31	366-1161-55			1		PUSH BUTTON:GRAY--A	80009	366-1161-55
-32	366-1161-56			1		PUSH BUTTON:GRAY--B	80009	366-1161-56
-33	384-1136-00			3		EXTENSION SHAFT:0.95 INCH LONG	80009	384-1136-00
-34	384-1354-00			6		EXTENSION SHAFT:1.585 INCH LONG,OFFSET,NYL	80009	384-1354-00
-35	384-1148-00			1		EXTENSION SHAFT:3.14 L X 0.123 OD,EPOXY-GL	80009	384-1148-00
-36	376-0029-00			1		CPLG,SHAFT,RGD:0.128 ID X 0.312 OD X 0.5"L	80009	376-0029-00
	213-0075-00			2		. SETSCREW:4-40 X 0.094 INCH,HEX SOC STL	000BK	OBD
-37				1		CKT BOARD ASSY:MODE SWITCH(SEE A5 EPL)		
						(ATTACHING PARTS)		
-38	211-0116-00			5		SCR,ASSEM WSHR:4-40 X 0.312 INCH,PNH BRS	83385	OBD
						- - - * - - -		
						. CKT BOARD ASSY INCLUDES:		
-39	136-0269-02			5		. SOCKET,PLUG-IN:14 CONTACT,LOW CLEARANCE	01295	C95140
-40	214-0579-00			8		. TERM.,TEST PT:BRS CD PL	80009	214-0579-00
-41				2		. ACTUATOR ASSY:(SEE S365,S345 EPL)		
-42				1		. ACTUATOR ASSY:(SEE S325 EPL)		
-43				1		. ACTUATOR ASSY:(SEE S315 EPL)		
-44				1		. ACTUATOR ASSY:(SEE S395 EPL)		
-45	343-0495-09			1		. CLIP,SWITCH:FRONT,7.5 MM,9 UNIT	80009	343-0495-09
						(ATTACHING PARTS)		
-46	210-3033-00			9		. EYELET,METALLIC:0.59 OD X 0.156 INCH LONG	07707	SE-25
						- - - * - - -		

Replaceable Mechanical Parts—7104

Fig. & Index No.	Tektronix Part No.	Serial/Model No. Eff Dscont	Qty	1	2	3	4	5	Name & Description	Mfr Code	Mfr Part Number
4-47	343-0495-07		1	.					CLIP, SWITCH: FRONT, 7.5MM, 7 UNIT (ATTACHING PARTS)	80009	343-0495-07
-48	210-3033-00		7	.					EYELET, METALLIC: 0.59 OD X 0.156 INCH LONG -----*-----	07707	SE-25
-49	343-0496-03		3	.					CLIP, SWITCH: FRONT, 10 MM X 3 UNIT (ATTACHING PARTS FOR EACH)	80009	343-0496-03
-50	210-3033-00		3	.					EYELET, METALLIC: 0.59 OD X 0.156 INCH LONG -----*-----	07707	SE-25
-51	343-0497-03		3	.					CLIP, SWITCH: REAR, 10 MM X 3 UNIT (ATTACHING PARTS FOR EACH)	80009	343-0497-03
-52	210-3033-00		3	.					EYELET, METALLIC: 0.59 OD X 0.156 INCH LONG -----*-----	07707	SE-25
-53	-----		1	.					RES, VAR, NONWW: (SEE R325 EPL)		
-54	343-0499-03		1	.					CLIP, SWITCH: 7.5 MM, 4 UNIT (ATTACHING PARTS)	80009	343-0499-03
-55	210-3033-00		3	.					EYELET, METALLIC: 0.59 OD X 0.156 INCH LONG -----*-----	07707	SE-25
-56	343-0499-05		1	.					CLIP, SWITCH: REAR, 7.5MM X 5 UNIT (ATTACHING PARTS)	80009	343-0499-05
-57	210-3033-00		5	.					EYELET, METALLIC: 0.59 OD X 0.156 INCH LONG -----*-----	07707	SE-25
-58	131-0608-00		61	.					TERMINAL, PIN: 0.365 L X 0.25 PH, BRZ, GOLD PL	22526	47357
-59	136-0252-04		23	.					SOCKET, PIN TERM: 0.188 INCH LONG	22526	75060
-60	131-1003-00		2	.					CONNECTOR BODY, : CKT BD MT, 2 PRONG	80009	131-1003-00
-61	343-0499-04		2	.					CLIP, SWITCH: REAR, 7.5MM X 4 UNIT (ATTACHING PARTS FOR EACH)	80009	343-0499-04
-62	210-3033-00		4	.					EYELET, METALLIC: 0.59 OD X 0.156 INCH LONG -----*-----	07707	SE-25
-63	384-1876-00		1						EXTENSION SHAFT:	80009	384-1876-00
-64	348-0193-00		1						FLIP-STAND, CAB.:	80009	348-0193-00
-65	407-2109-00		2						BRACKET, HINGE: (ATTACHING PARTS FOR EACH)	80009	407-2109-00
-66	210-0457-00		2						NUT, PLAIN, EXT W: 6-32 X 0.312 INCH, STL -----*-----	83385	OBD
-67	200-1731-00		1						COVER, ELEC SW: 1.9 X 1.0 INCH (ATTACHING PARTS)	80009	200-1731-00
-68	211-0034-00		1						SCREW, MACHINE: 2-56 X 0.50 INCH, PNH	83385	OBD
-69	210-0850-00		1						WASHER, FLAT: 0.093 ID X 0.281 INCH OD	12327	OBD
-70	210-0405-00		1						NUT, PLAIN, HEX.: 2-56 X 0.188 INCH, BRS -----*-----	73743	2X12157-402
-71	-----		1						SWITCH, PUSH: (SEE S1200 EPL) (ATTACHING PARTS)		
-72	211-0008-00		2						SCREW, MACHINE: 4-40 X 0.25 INCH, PNH STL -----*-----	83385	OBD
-73	407-1873-00		1						BRACKET, ANGLE: POWER SWITCH (ATTACHING PARTS)	80009	407-1873-00
-74	210-0457-00		2						NUT, PLAIN, EXT W: 6-32 X 0.312 INCH, STL -----*-----	83385	OBD
-75	210-0202-00		1						TERMINAL, LUG: 0.146 ID, LOCKING, BRZ TINNED (ATTACHING PARTS)	78189	2104-06-00-2520N
-76	210-0457-00		2						NUT, PLAIN, EXT W: 6-32 X 0.312 INCH, STL -----*-----	83385	OBD
-77	441-1286-01		1						CHAS, PL-IN HSG: TOP (ATTACHING PARTS FOR EACH)	80009	441-1286-01
-78	210-0458-00		4						NUT, PLAIN, EXT W: 8-32 X 0.344 INCH, STL	83385	OBD
-79	212-0004-00		4						SCREW, MACHINE: 8-32 X 0.312 INCH, PNH STL -----*-----	83385	OBD
-80	407-2093-00		2						BRACKET, ANGLE: HINGE, ALUMINUM (ATTACHING PARTS FOR EACH)	80009	407-2093-00
-81	211-0559-00		1						SCREW, MACHINE: 6-32 X 0.375"100 DEG, FLH STL -----*-----	83385	OBD

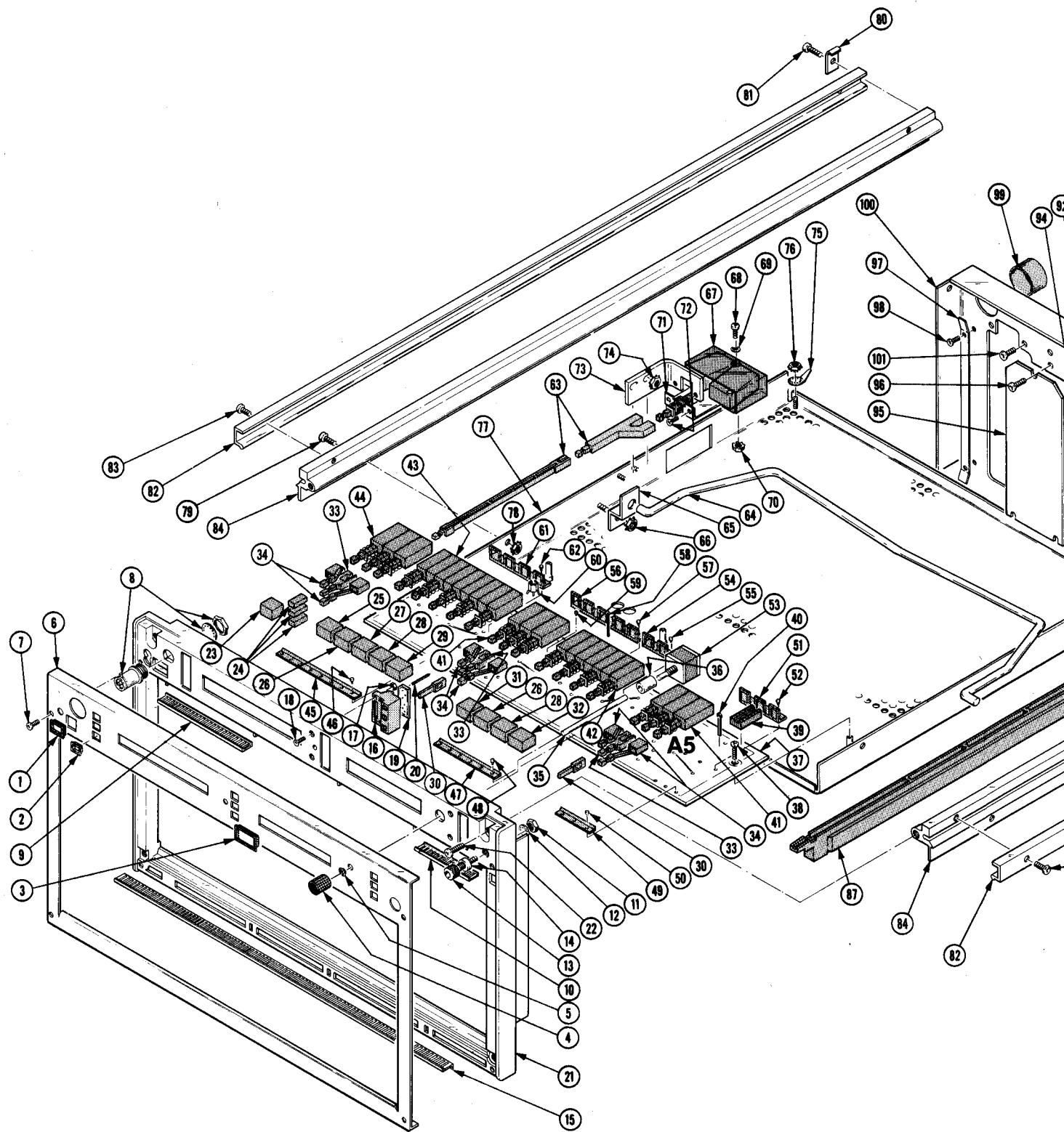
Replaceable Mechanical Parts—7104

Fig. & Index No.	Tektronix Part No.	Serial/Model No. Eff	Dscont	Qty	1 2 3 4 5	Name & Description	Mfr Code	Mfr Part Number
4-82	426-1470-00			2		FRAME SECT,CAB.:COUPLING (ATTACHING PARTS FOR EACH)	80009	426-1470-00
-83	211-0507-00			1		SCREW,MACHINE:6-32 X 0.312 INCH,PNH STL - - - * - - - -	83385	OBD
-84	426-1513-00			2		FRAME SECT,CAB.:TOP RIGHT (ATTACHING PARTS FOR EACH)	80009	426-1513-00
-85	210-0458-00			4		NUT,PLAIN,EXT W:8-32 X 0.344 INCH,STL	83385	OBD
-86	212-0004-00			4		SCREW,MACHINE:8-32 X 0.312 INCH,PNH STL - - - * - - - -	83385	OBD
-87	351-0181-03			4		GUIDE,SLIDE:LWR,PLUG-IN UNIT (ATTACHING PARTS FOR EACH)	80009	351-0181-03
-88	213-0146-00			1		SCR,TPG,THD FOR:6-20 X 0.313 INCH,PNH STL - - - * - - - -	83385	OBD
-89	131-0930-00			3		CONTACT,ELEC:PLUG-IN GROUND (ATTACHING PARTS FOR EACH)	80009	131-0930-00
-90	210-0586-00			1		NUT,PLAIN,EXT W:4-40 X 0.25 INCH,STL	78189	211-041800-00
-91	211-0008-00			1		SCREW,MACHINE:4-40 X 0.25 INCH,PNH STL - - - * - - - -	83385	OBD
-92	131-0799-00			3		CONTACT,ELEC:PLUG-IN GROUND (ATTACHING PARTS FOR EACH)	80009	131-0799-00
-93	210-0586-00			1		NUT,PLAIN,EXT W:4-40 X 0.25 INCH,STL	78189	211-041800-00
-94	211-0008-00			1		SCREW,MACHINE:4-40 X 0.25 INCH,PNH STL - - - * - - - -	83385	OBD
-95	337-2514-00			3		SHIELD,ELEC:INTERFACE CIRCUIT BD (ATTACHING PARTS FOR EACH)	80009	337-2514-00
-96	211-0008-00			3		SCREW,MACHINE:4-40 X 0.25 INCH,PNH STL - - - * - - - -	83385	OBD
-97	131-0800-00			2		CONTACT,ELEC:PLUG-IN GROUND (ATTACHING PARTS FOR EACH)	80009	131-0800-00
-98	213-0138-00			2		SCR,TPG,THD FOR:4-40 X 0.188 INCH,PNH STL - - - * - - - -	83385	OBD
-99	358-0566-00			1		INSULATOR,BSHG:0.625 ID X 0.406 THK,NYLON	28520	SB-812-10
-100	426-1487-00			1		FRAME,PL-IN HSG:REAR (ATTACHING PARTS)	80009	426-1487-00
-101	213-0119-00			12		SCR,TPG,THD FOR:4-24 X 0.375 INCH,PNH STL - - - * - - - -	83385	OBD
-102	-----			1		CRT BOARD ASSY:TRIGGER SELECT(SEE A14 EPL) (ATTACHING PARTS)		
-103	211-0155-00			3		SCREW,EXT,RLV B:4-40 X 0.375 INCH,SST - - - * - - - -	80009	211-0155-00
-104	361-0238-00			3		. CKT BOARD ASSY INCLUDES: . SPACER,SLEEVE:0.25 OD X 0.34 INCH LONG	80009	361-0238-00
-105	136-0263-04			7		. SOCKET,PIN TERM:FOR 0.025 INCH SQUARE PIN	22526	48059
-106	426-1352-00			5		. FRAME,MICROCKT:1.75 CM,STEPPED (ATTACHING PARTS FOR EACH)	80009	426-1352-00
-107	220-0797-00			4		. NUT,CAPTIVE:2-56 X 0.218 DIA,STL CD PL	46384	KF2-256
-108	211-0259-00			5		. SCR,ASSEM WSHR:2-56 X 0.437,PNH,STL CD PL - - - * - - - -	78189	OBD
-109	131-1968-00			3		. CONT SET,ELEC:MICROCKT,1.75CM,RUBBER	80009	131-1968-00
	131-1968-01			2		. CONT SET,ELEC:MICROCKT,1.75CM,RUBBER	80009	131-1968-01
-110	136-0269-02			1		. SOCKET,PLUG-IN:14 CONTACT,LOW CLEARANCE	01295	C95140
-111	136-0514-00			2		. SOCKET,PLUG IN:MICROCIRCUIT,8 CONTACT	82647	C93-08-18
-112	131-1003-00			9		. CONNECTOR BODY,:CKT BD MT,2 PRONG	80009	131-1003-00
-113	136-0252-04			15		. SOCKET,PIN TERM:0.188 INCH LONG	22526	75060
-114	-----			1		CKT BOARD ASSY:LOGIC(SEE A13 EPL) (ATTACHING PARTS)		
-115	211-0155-00			3		SCREW,EXT,RLV B:4-40 X 0.375 INCH,SST - - - * - - - -	80009	211-0155-00
-116	136-0263-04			40		. CKT BOARD ASSY INCLUDES: . SOCKET,PIN TERM:FOR 0.025 INCH SQUARE PIN	22526	48059
-117	361-0238-00			3		. SPACER,SLEEVE:0.25 OD X 0.34 INCH LONG	80009	361-0238-00
-118	136-0252-04			55		. SOCKET,PIN TERM:0.188 INCH LONG	22526	75060
-119	136-0241-00			4		. SOCKET,PLUG-IN:10 CONTACT,ROUND	71785	133-99-12-064
-120	214-0579-00			10		. TERM.,TEST PT:BRS CD PL	80009	214-0579-00

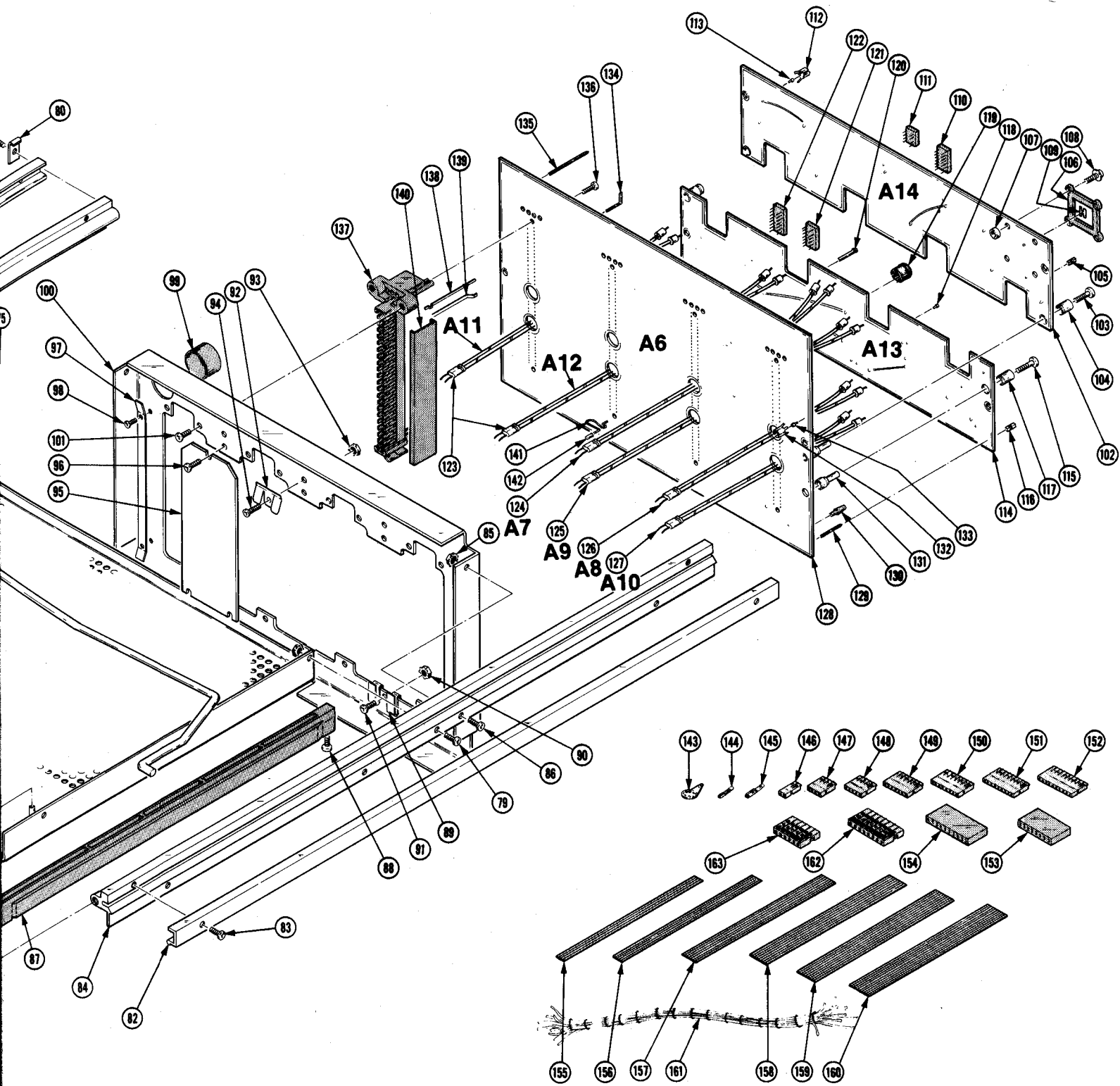
Replaceable Mechanical Parts—7104

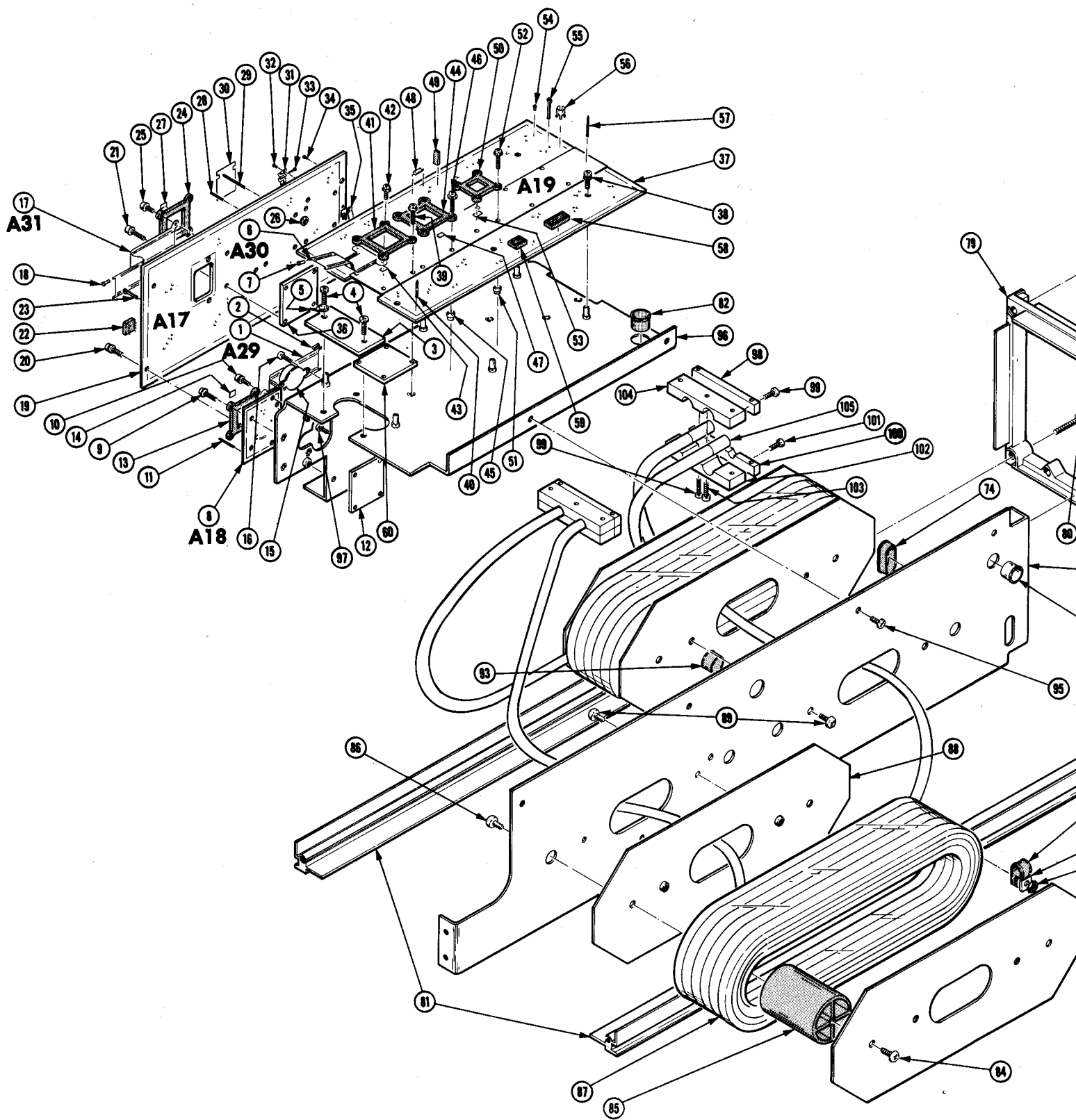
Fig. & Index No.	Tektronix Part No.	Serial/Model No. Eff Dscont	Qty	1 2 3 4 5	Name & Description	Mfr Code	Mfr Part Number
4-121	136-0269-02		1	.	SOCKET, PLUG-IN: 14 CONTACT, LOW CLEARANCE	01295	C95140
-122	136-0260-02		3	.	SOCKET, PLUG-IN: 16 CONTACT, LOW CLEARANCE	82647	C9316-18
-123	-----		2		CKT BOARD ASSY: FOLLOWER (SEE A11, A12 EPL)		
-124	-----		1		CKT BOARD ASSY: FOLLOWER (SEE A7 EPL)		
-125	-----		1		CKT BOARD ASSY: FOLLOWER (SEE A9 EPL)		
-126	-----		1		CKT BOARD ASSY: FOLLOWER (SEE A10 EPL)		
-127	-----		1		CKT BOARD ASSY: FOLLOWER (SEE A8 EPL)		
-128	-----		1		CKT BOARD ASSY: MAIN INTERFACE (SEE A6 EPL)		
-129	131-0608-00		103	.	TERMINAL, PIN: 0.365 L X 0.25 PH, BRZ, GOLD PL	22526	47357
-130	386-1558-00		6	.	SPACER, CKT CARD: PLASTIC	80009	386-1558-00
-131	351-0187-00		6	.	GUIDE-POST LOCK: 0.072 INCH LONG	80009	351-0187-00
-132	131-1003-00		10	.	CONNECTOR BODY, : CKT BD MT, 2 PRONG	80009	131-1003-00
-133	136-0252-04		13	.	SOCKET, PIN TERM: 0.188 INCH LONG	22526	75060
-134	131-0589-00		18	.	TERM, PIN: 0.46 L X 0.025 SQ. PH BRZ GL	22526	47350
-135	131-0591-00		47	.	CONTACT, ELEC: 0.835 INCH LONG	22526	47352
	131-0767-10		4	.	CONN, RCPT, ELEC: CKT BD	80009	131-0767-10
					(ATTACHING PARTS FOR EACH)		
-136	213-0232-00		8	.	SCR, TPG, THD FOR: 2-32 X 0.312 INCH, PNH STL	83385	OBD
	-----		-	.	EACH CONNECTOR ASSY INCLUDES:		
-137	204-0365-00		4	.	BODY, CONNECTOR: PLUG-IN CIRCUIT CARD	80009	204-0365-00
-138	131-0726-00		24	.	CONTACT, ELEC: STRAIGHT	80009	131-0726-00
-139	131-0727-00		24	.	CONTACT, ELEC: OFFSET	80009	131-0727-00
-140	200-0950-00		2	.	COVER, ELEC CONN: PLASTIC	80009	200-0950-00
-141	214-2675-00		6	.	SPRING, ACTUATOR:	80009	214-2675-00
-142	136-0619-00		6	.	SOCKET, PIN TERM: U/W 0.026-0.029 DIA PINS	00779	1-331677-0
	198-3762-00		1		WIRE SET, ELEC:	80009	198-3762-00
-143	210-0202-00		2	.	TERMINAL, LUG: 0.146 ID, LOCKING, BRZ TINNED	78189	2104-06-00-2520N
-144	131-0707-00		264	.	CONNECTOR, TERM.: 0.48" L, 22-26AWG WIRE	22526	75691-005
-145	131-1810-00		36	.	CONTACT, ELEC: FEMALE, FOR 0.025 SQ PIN	00779	87124-1
-146	352-0169-08		1	.	CONN BODY, PL, EL: 2 WIRE GRAY	80009	352-0169-08
-147	352-0162-00		2	.	CONN BODY, PL, EL: 4 WIRE BLACK	80009	352-0162-00
	352-0162-06		2	.	CONN BODY, PL, EL: 4 WIRE BLUE	80009	352-0162-06
-148	352-0163-04		4	.	CONN BODY, PL, EL: 5 WIRE YELLOW	80009	352-0163-04
	352-0163-07		2	.	CONN BODY, PL, EL: 5 WIRE VIOLET	80009	352-0163-07
	352-0163-08		2	.	CONN BODY, PL, EL: 5 WIRE GRAY	80009	352-0163-08
	352-0163-09		2	.	CONN BODY, PL, EL: 5 WIRE WHITE	80009	352-0163-09
-149	352-0165-00		2	.	CONN BODY, PL, EL: 7 WIRE BLACK	80009	352-0165-00
	352-0165-05		2	.	CONN BODY, PL, EL: 7 WIRE GREEN	80009	352-0165-05
	352-0165-07		2	.	CONN BODY, PL, EL: 7 WIRE VIOLET	80009	352-0165-07
-150	352-0166-06		1	.	CONN BODY, PL, EL: 8 WIRE BLUE	80009	352-0166-06
-151	352-0167-05		2	.	CONN BODY, PL, EL: 9 WIRE GREEN	80009	352-0167-05
-152	352-0168-02		2	.	CONN BODY, PL, EL: 10 WIRE RED	80009	352-0168-02
	352-0168-03		2	.	CONN BODY, PL, EL: 10 WIRE ORANGE	80009	352-0168-03
	352-0168-05		2	.	CONN BODY, PL, EL: 10 WIRE GREEN	80009	352-0168-05
	352-0168-06		2	.	CONN BODY, PL, EL: 10 WIRE BLUE	80009	352-0168-06
	352-0168-07		2	.	CONN BODY, PL, EL: 10 WIRE VIOLET	80009	352-0168-07
	352-0168-09		4	.	CONN BODY, PL, EL: 10 WIRE WHITE	80009	352-0168-09
-153	204-0738-00		2	.	CONN BODY, PLUG: 8 CONTACTS, SGL ROW, LKG CLIP	00779	1-87175-7
-154	204-0760-00		2	.	CONN BODY, RCPT: 10 CONTACTS	00779	2-87175-1
-155	175-0827-00		FT	.	WIRE, ELECTRICAL: 4 WIRE RIBBON	08261	SS-0426-710610C
-156	175-0828-00		FT	.	WIRE, ELECTRICAL: 5 WIRE RIBBON	08261	OBD
-157	175-0830-00		FT	.	WIRE, ELECTRICAL: 7 WIRE RIBBON	08261	SS-0726-710610C
-158	175-0831-00		FT	.	WIRE, ELECTRICAL: 8 WIRE RIBBON	08261	OBD
-159	175-0832-00		FT	.	WIRE, ELECTRICAL: 9 WIRE RIBBON	08261	SS-0926(1061)0C
-160	175-0833-00		FT	.	WIRE, ELECTRICAL: 10 WIRE RIBBON	08261	OBD
-161	179-2578-00		1		WIRING HARNESS: SIGNAL OUT	80009	179-2578-00
-162	352-0204-00		1	.	CONN BODY, PL, EL: 8 WIRE BLACK	80009	352-0204-00
	179-2579-00		1		WIRING HARNESS: AUXILIARY - Y	80009	179-2579-00
-163	352-0202-00		1	.	CONN BODY, PL, EL: 6 WIRE BLACK	80009	352-0202-00

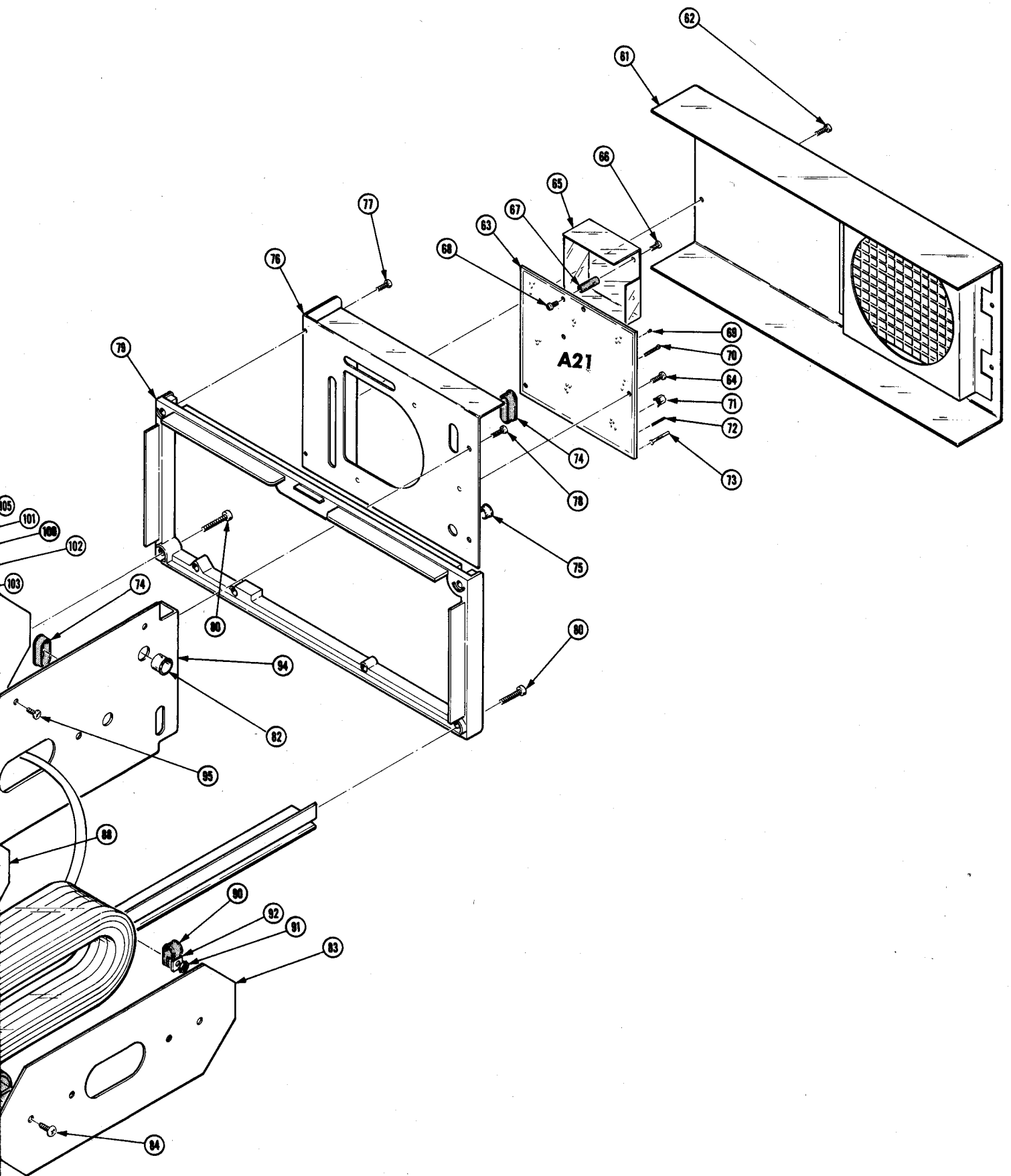
FIG. 4 LOWER FRONT UNIT
& PLUG-IN HOUSING



7104 OSCILLOSCOPE







©

Replaceable Mechanical Parts—7104

Fig. & Index No.	Tektronix Part No.	Serial/Model No. Eff Dscont	Qty	1 2 3 4 5	Name & Description	Mfr Code	Mfr Part Number
5-	620-0276-00		1		POWER SUPPLY: (ATTACHING PARTS)	80009	620-0276-00
-1	211-0578-00		4		SCREW,MACHINE:6-32 X 0.438 INCH,PNH STL - - - * - - -	83385	OBD
-2	200-1262-02		1		. COVER,PWR SPLY:LEFT SIDE (ATTACHING PARTS)	80009	200-1262-02
-3	211-0503-00		7		. SCREW,MACHINE:6-32 X 0.188 INCH,PNH STL	83385	OBD
-4	211-0504-00		2		. SCREW,MACHINE:6-32 X 0.25 INCH,PNH STL - - - * - - -	83385	OBD
-5	255-0334-00		1		. PLASTIC CHANNEL:	11897	122-37-2500
-6	348-0233-00		1		. GROMMET,PLASTIC:GRAY,OVAL SHAPE,0.927 ID	80009	348-0233-00
-7	351-0279-00		2		. GUIDE,SHOE:5.18 X 0.375,NYLON	80009	351-0279-00
-8	200-1906-00		1		. COVER,PWR SPLY:BOTTOM AND FRONT (ATTACHING PARTS)	80009	200-1906-00
-9	211-0503-00		5		. SCREW,MACHINE:6-32 X 0.188 INCH,PNH STL - - - * - - -	83385	OBD
-10	200-1263-01		1		. COVER,PWR SPLY:RIGHT SIDE (ATTACHING PARTS)	80009	200-1263-01
-11	211-0503-00		1		. SCREW,MACHINE:6-32 X 0.188 INCH,PNH STL	83385	OBD
-12	211-0504-00		2		. SCREW,MACHINE:6-32 X 0.25 INCH,PNH STL - - - * - - -	83385	OBD
-13	-----		2		. TRANSISTOR:(SEE Q1428,Q1474 EPL) (ATTACHING PARTS FOR EACH)		
-14	210-0551-00		1		. NUT,PLAIN,HEX.:4-40 X 0.25 INCH,STL	83385	OBD
-15	210-1178-00		1		. WSHR,SHOULDERED:FOR MTG TO-220 TRANSISTOR	49671	DF 137A
-16	342-0202-00		1		. INSULATOR,PLATE:TRANSISTOR	01295	10-21-023-106
-17	211-0101-00		1		. SCREW,MACHINE:4-40 X 0.25" 100 DEG,FLH STL - - - * - - -	83385	OBD
-18	-----		2		. TRANSISTOR:(SEE Q1458,Q1494 EPL) (ATTACHING PARTS FOR EACH)		
-19	210-0551-00		1		. NUT,PLAIN,HEX.:4-40 X 0.25 INCH,STL	83385	OBD
-20	210-1178-00		1		. WSHR,SHOULDERED:FOR MTG TO-220 TRANSISTOR	49671	DF 137A
-21	342-0202-00		1		. INSULATOR,PLATE:TRANSISTOR	01295	10-21-023-106
-22	211-0101-00		1		. SCREW,MACHINE:4-40 X 0.25" 100 DEG,FLH STL - - - * - - -	83385	OBD
-23	-----		1		. TRANSISTOR:(SEE Q1522 EPL) (ATTACHING PARTS)		
-24	210-0551-00		1		. NUT,PLAIN,HEX.:4-40 X 0.25 INCH,STL	83385	OBD
-25	210-1178-00		1		. WSHR,SHOULDERED:FOR MTG TO-220 TRANSISTOR	49671	DF 137A
-26	342-0202-00		1		. INSULATOR,PLATE:TRANSISTOR	01295	10-21-023-106
-27	211-0038-00		1		. SCREW,MACHINE:4-40 X 0.312"100 DEG,FLH STL - - - * - - -	83385	OBD
-28	-----		1		. TRANSISTOR:(SEE Q1526 EPL) (ATTACHING PARTS)		
-29	210-0551-00		1		. NUT,PLAIN,HEX.:4-40 X 0.25 INCH,STL	83385	OBD
-30	210-1178-00		1		. WSHR,SHOULDERED:FOR MTG TO-220 TRANSISTOR	49671	DF 137A
-31	342-0202-00		1		. INSULATOR,PLATE:TRANSISTOR	01295	10-21-023-106
-32	211-0101-00		1		. SCREW,MACHINE:4-40 X 0.25" 100 DEG,FLH STL - - - * - - -	83385	OBD
-33	-----		1		. CKT BOARD ASSY:L.V. REGULATOR(SEE A25 EPL) (ATTACHING PARTS)		
-34	211-0008-00		5		. SCREW,MACHINE:4-40 X 0.25 INCH,PNH STL - - - * - - -	83385	OBD
-35	131-0993-00		1		. . . CKT BOARD ASSY INCLUDES: . . . LINK,TERM.CONNE:2 WIRE BLACK	00779	530153-2
-36	131-0608-00		66		. . . TERMINAL,PIN:0.365 L X 0.25 PH,BRZ,GOLD PL	22526	47357
-37	214-0579-00		9		. . . TERM.,TEST PT:BRS CD PL	80009	214-0579-00
-38	136-0252-04		24		. . . SOCKET,PIN TERM:0.188 INCH LONG	22526	75060
-39	136-0514-00		5		. . . SOCKET,PLUG IN:MICROCIRCUIT,8 CONTACT	82647	C93-08-18
-40	-----		1		. . . TRANSISTOR:(SEE Q1548 EPL) (ATTACHING PARTS)		
-41	210-0414-00		1		. . . NUT,PLAIN,HEX.:0.468-32 X 0.562 INCH,BRS	73743	3167-402
-42	211-0097-00		1		. . . SCREW,MACHINE:4-40 X 0.312 INCH,PNH STL	83385	OBD
-43	210-1178-00		1		. . . WSHR,SHOULDERED:FOR MTG TO-220 TRANSISTOR - - - * - - -	49671	DF 137A

Replaceable Mechanical Parts—7104

Fig. & Index No.	Tektronix Part No.	Serial/Model No. Eff Dscont	Qty	1	2	3	4	5	Name & Description	Mfr Code	Mfr Part Number
5-44	348-0023-00		1	PLUG, HOLE:	80009	348-0023-00
-45	441-1421-00		1	CHASSIS, SCOPE: POST REGULATOR CIRCUIT BD (ATTACHING PARTS)	80009	441-1421-00
-46	211-0008-00		2	SCREW, MACHINE: 4-40 X 0.25 INCH, PNH STL	83385	OBD
-47	211-0507-00		3	SCREW, MACHINE: 6-32 X 0.312 INCH, PNH STL	83385	OBD
-48	-----		1	CAPACITOR: (SEE C1354 EPL) (ATTACHING PARTS)		
-49	212-0518-00		2	SCREW, MACHINE: 10-32 X 0.312 INCH, PNH STL	83385	OBD
-50	-----		1	CKT BOARD ASSY: CONTROL/RECT (SEE A24 EPL) (ATTACHING PARTS)		
-51	211-0008-00		3	SCREW, MACHINE: 4-40 X 0.25 INCH, PNH STL	83385	OBD
-52	211-0504-00		1	SCREW, MACHINE: 6-32 X 0.25 INCH, PNH STL	83385	OBD
-53	131-0608-00		22	CKT BOARD ASSY INCLUDES: TERMINAL, PIN: 0.365 L X 0.25 PH, BRZ, GOLD PL	22526	47357
-54	136-0252-04		9	SOCKET, PIN TERM: 0.188 INCH LONG	22526	75060
-55	136-0269-02		1	SOCKET, PLUG-IN: 14 CONTACT, LOW CLEARANCE	01295	C95140
-56	136-0263-04		6	SOCKET, PIN TERM: FOR 0.025 INCH SQUARE PIN	22526	48059
-57	-----		4	SEMICONV DEVICE: (SEE CR1340, CR1341, CR1342 CR1343 EPL) (ATTACHING PARTS FOR EACH)		
-58	210-0410-00		1	NUT, PLAIN, HEX.: 10-32 X 0.312 INCH, BRS	73743	2X20003-402
-59	210-0056-00		1	WASHER, LOCK: SPLIT, 0.195 ID X 0.32" OD, P BRZ	83385	OBD
-60	210-1003-00		1	WASHER, FLAT: # 10 X 0.036 THICK, BRS	12327	OBD
-61	136-0260-02		1	SOCKET, PLUG-IN: 16 CONTACT, LOW CLEARANCE	82647	C9316-18
-62	214-0579-00		2	TERM., TEST PT: BRS CD PL	80009	214-0579-00
-63	344-0286-00		4	CLIP, ELECTRICAL: FOR 3AG FUSE, BRS	75915	102069
-64	131-0589-00		4	TERM, PIN: 0.46 L X 0.025 SQ. PH BRZ GL	22526	47350
-65	-----		1	SEMICONV DEVICE: (SEE CR1351 EPL) (ATTACHING PARTS)		
-66	210-0586-00		2	NUT, PLAIN, EXT W: 4-40 X 0.25 INCH, STL	78189	211-041800-00
-67	211-0012-00		2	SCREW, MACHINE: 4-40 X 0.375 INCH, PNH STL	83385	OBD
-68	386-0786-00		1	INSULATOR, PLATE: XSTR, MICA	80009	386-0786-00
-69	214-2731-00		1	HEAT SINK, DIODE: TO-3	80009	214-2731-00
-70	136-0254-01		2	SOCKET, PIN TERM: 0.145 INCH LONG	00779	1-331892-8
-71	-----		2	CAPACITOR: (SEE C1216, C1217 EPL) (ATTACHING PARTS FOR EACH)		
-72	212-0518-00		4	SCREW, MACHINE: 10-32 X 0.312 INCH, PNH STL	83385	OBD
-73	342-0419-00		2	INSULATOR, CAP.:	80009	342-0419-00
-74	407-2111-00		1	BRACKET, CAP.: ALUMINUM	80009	407-2111-00
-75	-----		1	TRANSFORMER: (SEE T1310 EPL) (ATTACHING PARTS)		
-76	211-0008-00		4	SCREW, MACHINE: 4-40 X 0.25 INCH, PNH STL	83385	OBD
-77	348-0023-00		1	PLUG, HOLE:	80009	348-0023-00
-78	441-1423-00		1	CHASSIS, SCOPE: TRANSFORMER (ATTACHING PARTS)	80009	441-1423-00
-79	211-0097-00		2	SCREW, MACHINE: 4-40 X 0.312 INCH, PNH STL	83385	OBD
-80	337-1490-01		1	SHIELD, ELEC: LINE INVERTER, CKT CD BOTTOM (ATTACHING PARTS)	80009	337-1490-01
-81	211-0040-00		1	SCREW, MACHINE: 4-40 X 0.25", BDGH PLSTC	26365	OBD
-82	210-0054-00		1	WASHER, LOCK: SPLIT, 0.118 ID X 0.212" OD STL	83385	OBD
-83	211-0558-00		1	SCREW, MACHINE: 6-32 X 0.250 BDGH, NYL, SLOT	26365	921-1150-0014
-84	210-0055-00		1	WASHER, LOCK: SPLIT, 0.145 ID X 0.253 OD, STL	83385	OBD
-85	220-0623-00		1	NUT BLOCK: 0.315 X 0.5 X 0.448 (ATTACHING PARTS)	80009	220-0623-00
-86	211-0504-00		1	SCREW, MACHINE: 6-32 X 0.25 INCH, PNH STL	83385	OBD

Replaceable Mechanical Parts—7104

Fig. & Index No.	Tektronix Part No.	Serial/Model No. Eff Dscont	Qty	1 2 3 4 5	Name & Description	Mfr Code	Mfr Part Number
5-87	-----	-----	1	.	CKT BOARD ASSY:INVERTER(SEE A23 EPL) (ATTACHING PARTS)		
-88	211-0008-00		4	.	SCREW,MACHINE:4-40 X 0.25 INCH,PNH STL - - - * - - -	83385	OBD
-89	131-0591-00		6	.	CKT BOARD ASSY INCLUDES: CONTACT,ELEC:0.835 INCH LONG	22526	47352
-90	346-0032-00		1	.	STRAP,RETAINING:0.075 DIA X 4.0 L,MLD RBR	98159	2859-75-4
-91	214-1914-00		1	.	HEAT SINK,ELEC: (ATTACHING PARTS)	98978	PB1-ZCB
-92	211-0012-00		1	.	SCREW,MACHINE:4-40 X 0.375 INCH,PNH STL - - - * - - -	83385	OBD
-93	361-0414-00		1	.	SPACER,DIODE:	80009	361-0414-00
-94	214-0579-00		3	.	TERM.,TEST PT:BRS CD PL	80009	214-0579-00
-95	348-0005-00		1	.	GROMMET,RUBBER:0.50 INCH DIA	70485	230
-96	129-0323-00		1	.	POST,ELEC-MECH:HEX,0.25 X 1 INCH LONG (ATTACHING PARTS)	80009	129-0323-00
-97	211-0097-00		1	.	SCREW,MACHINE:4-40 X 0.312 INCH,PNH STL - - - * - - -	83385	OBD
-98	385-0016-00		1	.	INS,STANDOFF:0.312 OD X 1.0 INCH LONG (ATTACHING PARTS)	80009	385-0016-00
-99	211-0507-00		1	.	SCREW,MACHINE:6-32 X 0.312 INCH,PNH STL - - - * - - -	83385	OBD
-100	134-0158-00		4	.	BUTTON,PLUG:0.187 DIA,NYLON	02768	207-080501-00
-101	337-2533-00		1	.	SHIELD,ELEC:LINE INVERT,TOP (ATTACHING PARTS)	80009	337-2533-00
-102	211-0101-00		4	.	SCREW,MACHINE:4-40 X 0.25" 100 DEG,FLH STL - - - * - - -	83385	OBD
-103	344-0118-00		2	.	CLIP,SPG TENS:CAPACITOR MTG (ATTACHING PARTS FOR EACH)	80033	E50008-044
-104	210-0586-00		1	.	NUT,PLAIN,EXT W:4-40 X 0.25 INCH,STL	78189	211-041800-00
-105	211-0008-00		1	.	SCREW,MACHINE:4-40 X 0.25 INCH,PNH STL - - - * - - -	83385	OBD
-106	-----	-----	2	.	TRANSISTOR:(SEE Q1234,Q1240 EPL) (ATTACHING PARTS FOR EACH)		
-107	211-0034-00		1	.	SCREW,MACHINE:2-56 X 0.50 INCH,PNH	83385	OBD
-108	210-0053-00		1	.	WASHER,LOCK:INTL,0.092 ID X 0.175"OD,STL	83385	OBD
-109	210-1008-00		1	.	WASHER,FLAT:0.09 ID X 0.188" OD,BRS	12360	OBD
-110	342-0421-00		1	.	INSULATOR,BSHG:0.089 ID X 0.23 THK,NYLON - - - * - - -	80009	342-0421-00
-111	342-0420-00		2	.	INSULATOR,PLATE:TRANSISTOR,PORCELAIN	80009	342-0420-00
-112	342-0202-00		2	.	INSULATOR,PLATE:TRANSISTOR	01295	10-21-023-106
-113	386-2634-00		1	.	PL,CHOKE MTG: (ATTACHING PARTS)	80009	386-2634-00
-114	211-0619-00		2	.	SCREW,MACHINE:6-32 X 1.5 INCH,FLH STL - - - * - - -	83385	OBD
-115	441-1420-00		1	.	CHASSIS,SCOPE:LINE INVERT (ATTACHING PARTS)	80009	441-1420-00
-116	213-0041-00		2	.	SCR,TPG,THD CTG:6-32 X 0.375 INCH,TRH STL - - - * - - -	83385	OBD
-117	342-0193-00		1	.	INSULATOR,PLATE:	80009	342-0193-00
-118	342-0103-00		1	.	INSULATOR,BLOCK:HEAT-SINK SHIELD,NYLON (ATTACHING PARTS)	80009	342-0103-00
-119	210-0457-00		1	.	NUT,PLAIN,EXT W:6-32 X 0.312 INCH,STL	83385	OBD
-120	211-0512-00		1	.	SCREW,MACHINE:6-32 X 0.50" 100 DEG,FLH STL - - - * - - -	83385	OBD
-121	214-1625-00		1	.	SPRING,FLAT:2.0 INCH LONG,BOWED	80009	214-1625-00
-122	-----	-----	1	.	SWITCH,SLIDE:(SEE S1212 EPL) (ATTACHING PARTS)		
-123	210-0586-00		2	.	NUT,PLAIN,EXT W:4-40 X 0.25 INCH,STL	78189	211-041800-00
-124	211-0097-00		2	.	SCREW,MACHINE:4-40 X 0.312 INCH,PNH STL - - - * - - -	83385	OBD
-125	210-0204-00		1	.	TERMINAL,LUG:0.146 INCH DIA DE,45 DEG BEND (ATTACHING PARTS)	78189	2157-06-01-2520N
-126	210-0457-00		1	.	NUT,PLAIN,EXT W:6-32 X 0.312 INCH,STL - - - * - - -	83385	OBD

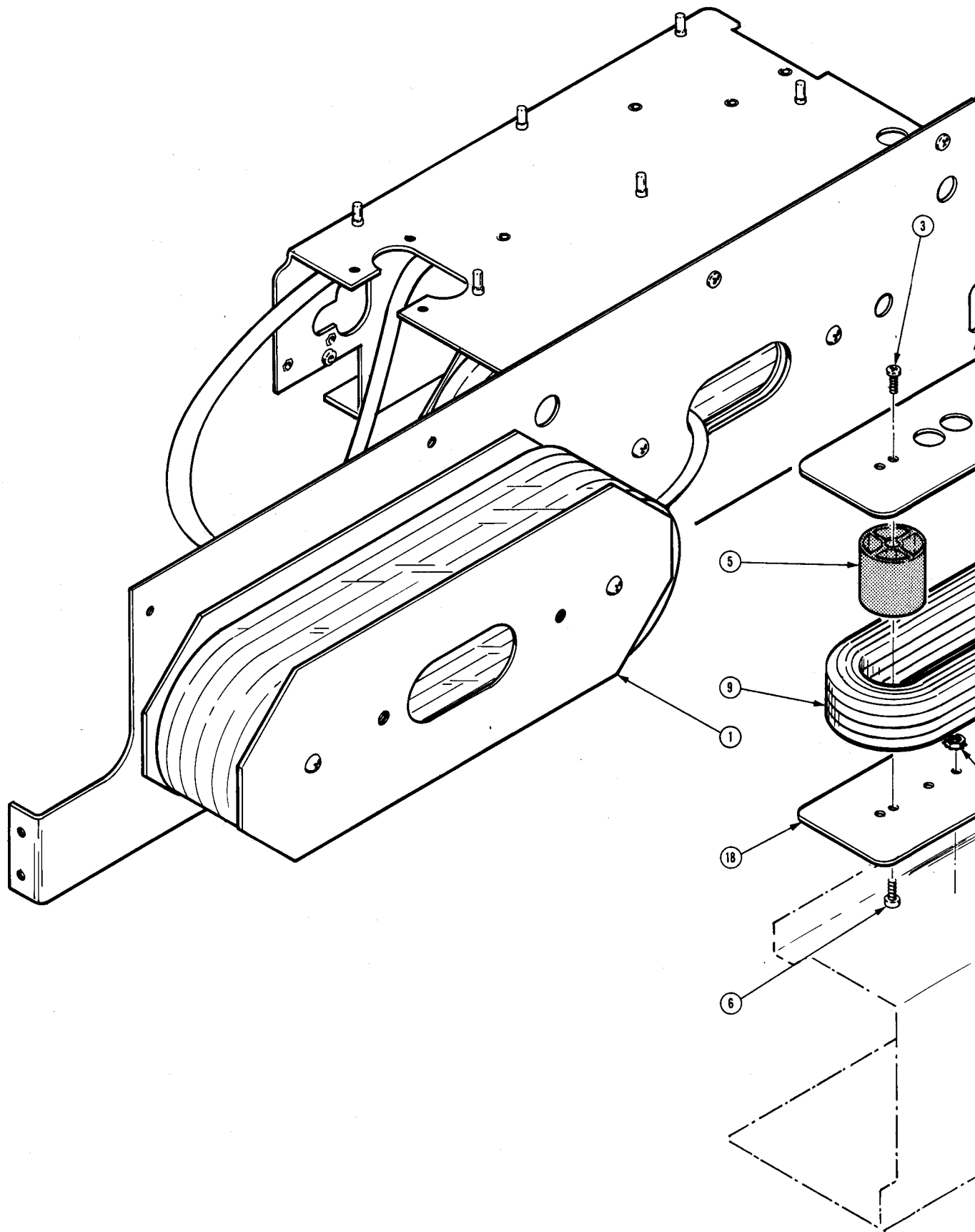
Replaceable Mechanical Parts—7104

Fig. & Index No.	Tektronix Part No.	Serial/Model No. Eff Dscont	Qty	1	2	3	4	5	Name & Description	Mfr Code	Mfr Part Number
5-127	210-0202-00		1	.					TERMINAL,LUG:0.146 ID,LOCKING,BRZ TINNED (ATTACHING PARTS)	78189	2104-06-00-2520N
-128	210-0457-00		1	.					NUT,PLAIN,EXT W:6-32 X 0.312 INCH,STL - - - * - - -	83385	OBD
-129	-----		1	.					SWITCH,SLIDE:(SEE S1540 EPL) (ATTACHING PARTS)		
-130	210-0586-00		2	.					NUT,PLAIN,EXT W:4-40 X 0.25 INCH,STL	78189	211-041800-00
-131	211-0097-00		2	.					SCREW,MACHINE:4-40 X 0.312 INCH,PNH STL - - - * - - -	83385	OBD
-132	352-0362-00		1	.					FUSEHOLDER: W/MOUNTING HARDWARE	75915	345001
-133	210-0873-00		2	.					WASHER,NONMETAL:0.5 ID X 0.688 INCH OD,NPRN	70485	OBD
-134	-----		1	.					FILTER,RFI:(SEE FL1200 EPL) (ATTACHING PARTS)		
-135	210-0586-00		2	.					NUT,PLAIN,EXT W:4-40 X 0.25 INCH,STL	78189	211-041800-00
-136	211-0014-00		2	.					SCREW,MACHINE:4-40 X 0.50 INCH,PNH STL - - - * - - -	83385	OBD
-137	214-2788-00		1	.					HEAT SINK,ELEC:POWER SUPPLY	80009	214-2788-00
	198-3829-00		1	.					WIRE KIT,ELEC:	80009	198-3829-00
-138	352-0161-06		1	CONN BODY,PL,EL:3 WIRE BLUE	80009	352-0161-06
-139	352-0162-04		2	CONN BODY,PL,EL:4 WIRE YELLOW	80009	352-0162-04
-140	352-0163-08		2	CONN BODY,PL,EL:5 WIRE GRAY	80009	352-0163-08
-141	352-0164-02		2	CONN BODY,PL,EL:6 WIRE RED	80009	352-0164-02
-142	352-0165-00		2	CONN BODY,PL,EL:7 WIRE BLACK	80009	352-0165-00
-143	352-0200-00		2	CONN BODY,PL,EL:4 WIRE BLACK	80009	352-0200-00
-144	175-0826-00		FT	WIRE,ELECTRICAL:3 WIRE RIBBON	80009	175-0826-00
-145	175-0827-00		FT	WIRE,ELECTRICAL:4 WIRE RIBBON	08261	SS-0426-710610C
-146	175-0860-00		FT	WIRE,ELECTRICAL:5 WIRE RIBBON	08261	SS-0522-1910610C
-147	175-0859-00		FT	WIRE,ELECTRICAL:6 WIRE RIBBON	08261	SS-0622-1910610C
-148	175-0858-00		FT	WIRE,ELECTRICAL:7 WIRE RIBBON	08261	SS-0722-1910610C
-149	210-0202-00		1	.					TERMINAL,LUG:0.146 ID,LOCKING,BRZ TINNED	78189	2104-06-00-2520N
-150	131-0707-00		45	CONNECTOR,TERM.:0.48" L,22-26AWG WIRE	22526	75691-005
-151	131-0622-00		4	CONTACT,ELEC:0.577"L,28-32 AWG WIRE	22526	46241
	131-0792-00		4	CONTACT,ELEC:0.577"L,18-20 AWG WIRE	22526	46221
-152	175-1091-00		FT	CABLE,SP,ELEC:(4) #18 STRANDED WIRE	80009	175-1091-00
-153	131-2065-00		4	TERM,QIK DISC:18-22 AWG,BRASS TIN PLATED	00779	2-350799-2
	672-0572-00		1	CKT BOARD ASSY:READOUT PROTECTION #1 (ATTACHING PARTS)	80009	672-0572-00
-154	211-0008-00		1	.					SCREW,MACHINE:4-40 X 0.25 INCH,PNH STL - - - * - - -	83385	OBD
	-----		-	.					CKT BOARD ASSY INCLUDES:		
-155	-----		1	.					CKT BOARD ASSY:PROTECTION(SEE A27 EPL)		
-156	253-0162-00		FT	TAPE,PRESS SENS:0.125 X 0.062,SPONGE	04963	4116
-157	131-0589-00		20	TERM,PIN:0.46 L X 0.025 SQ.PH BRZ GL	22526	47350
-158	-----		-	.					CKT BOARD ASSY:READOUT(SEE A15 EPL)		
-159	131-1003-00		6	CONNECTOR BODY,:CKT BD MT,2 PRONG	80009	131-1003-00
-160	136-0252-04		39	SOCKET,PIN TERM:0.188 INCH LONG	22526	75060
	136-0252-01		6	CONTACT,ELEC:0.178 INCH LONG	00779	1-332095-2
-161	131-0608-00		42	TERMINAL,PIN:0.365 L X 0.25 PH,BRZ,GOLD PL	22526	47357
-162	136-0260-02		14	SOCKET,PLUG-IN:16 CONTACT,LOW CLEARANCE	82647	C9316-18
-163	214-0579-00		20	TERM.,TEST PT:BRS CD PL	80009	214-0579-00
-164	136-0269-02		3	SOCKET,PLUG-IN:14 CONTACT,LOW CLEARANCE	01295	C95140
-165	136-0235-00		1	SOCKET,PLUG-IN:6 CONTACT,ROUND	71785	133-96-12-062
-166	344-0133-00		4	.					CLIP,SPR,TNSN:CIRCUIT CARD MOUNTING (ATTACHING PARTS FOR EACH)	80009	344-0133-00
-167	211-0008-00		1	.					SCREW,MACHINE:4-40 X 0.25 INCH,PNH STL - - - * - - -	83385	OBD
-168	131-0771-00		2	.					CONN,RCPT,ELEC:4 CONT,QUICK DISCONNECT	0000A	ROA-304NYL
-169	131-0955-00		3	.					CONNECTOR,RCPT,:BNC,FEMALE,W/HARDWARE	05091	31-279
-170	131-1315-00		2	.					CONNECTOR,RCPT,:BNC,FEMALE	24931	28JR235-1
-171	441-1377-00		1	.					CHASSIS,SCOPE:READOUT	80009	441-1377-00
-172	333-2320-00		1	.					PANEL,REAR: (ATTACHING PARTS)	80009	333-2320-00
-173	211-0507-00		2	.					SCREW,MACHINE:6-32 X 0.312 INCH,PNH STL - - - * - - -	83385	OBD

Replaceable Mechanical Parts—7104

Fig. & Index No.	Tektronix Part No.	Serial/Model No. Eff	Dscont	Qty	1	2	3	4	5	Name & Description	Mfr Code	Mfr Part Number
5-174	-----	-----		1	CKT BOARD ASSY:VERT CHAN SW(SEE A16 EPL)					(ATTACHING PARTS)		
-175	211-0116-00			4	SCR,ASSEM WSHR:4-40 X 0.312 INCH,PNH BRS						83385	OBD
	-----	-----		-	. CKT BOARD ASSY INCLUDES:							
-176	214-2543-00			1	. HT SK MICROCKT:MICROCIRCUIT					(ATTACHING PARTS)	80009	214-2543-00
-177	211-0259-00			4	. SCR,ASSEM WSHR:2-56 X 0.437,PNH,STL CD PL						78189	OBD
-178	136-0514-00			6	. SOCKET,PLUG IN:MICROCIRCUIT,8 CONTACT						82647	C93-08-18
-179	131-0608-00			7	. TERMINAL,PIN:0.365 L X 0.25 PH,BRZ,GOLD PL						22526	47357
-180	131-2033-00			2	. CONTACT,ELEC:SINGLE,BOTTOM,CU BE					(ATTACHING PARTS FOR EACH)	80009	131-2033-00
-181	210-0629-00			2	. EYELET,METALLIC:0.059 OD X 0.093 L,BRS						80009	210-0629-00
-182	131-2032-00			2	. CONTACT,ELEC:SINGLE,TOP,CUBE						80009	131-2032-00
-183	426-1351-00			1	. FRAME SECT,CAB.:REAR PANEL,LEFT & RIGHT						80009	426-1351-00
-184	131-1967-01			1	. CONT SET,ELEC:MICROCKT,1.75 CM,RUBBER						80009	131-1967-01
-185	131-2022-00			1	. CONTACT,ELEC:DUAL,BOTTOM,CU BE					(ATTACHING PARTS)	80009	131-2022-00
-186	210-0629-00			2	. EYELET,METALLIC:0.059 OD X 0.093 L,BRS						80009	210-0629-00
-187	131-2020-00			2	. CONTACT,ELEC:DUAL,TOP,BERYLLIUM COPPER						80009	131-2020-00
-188	136-0252-00			6	. SOCKET,PIN TERM:0.145 INCH LONG						00779	2-330808-7
-189	388-5349-00			1	. CIRCUIT BOARD:HF VERT CHAN SW					(ATTACHING PARTS)	80009	388-5349-00
-190	210-0702-00			14	. EYELET,METALLIC:0.047 OD X 0.125 INCH LONG						07707	S6127
-191	214-0579-00			15	. TERM.,TEST PT:BRS CD PL						80009	214-0579-00
-192	214-0668-00			1	. HEAT SINK,ELEC:FOR TO-5						13103	2211B
-193	136-0252-04			36	. SOCKET,PIN TERM:0.188 INCH LONG						22526	75060
-194	441-1378-00			1	. CHASSIS,CHAN SW:					(ATTACHING PARTS)	80009	441-1378-00
-195	211-0008-00			2	SCREW,MACHINE:4-40 X 0.25 INCH,PNH STL						83385	OBD
-196	333-2320-00			1	PANEL,REAR:					(ATTACHING PARTS)	80009	333-2320-00
-197	211-0507-00			2	SCREW,MACHINE:6-32 X 0.312 INCH,PNH STL						83385	OBD
-198	426-0807-02			1	FRAME PNL,CAB.:REAR					(ATTACHING PARTS)	80009	426-0807-02
-199	213-0270-00			4	SCR,TPG,THD FOR:10-32 X 0.75 INCH FILH STL						83385	OBD

OPTION 2



7104 OSCILLOSCOPE

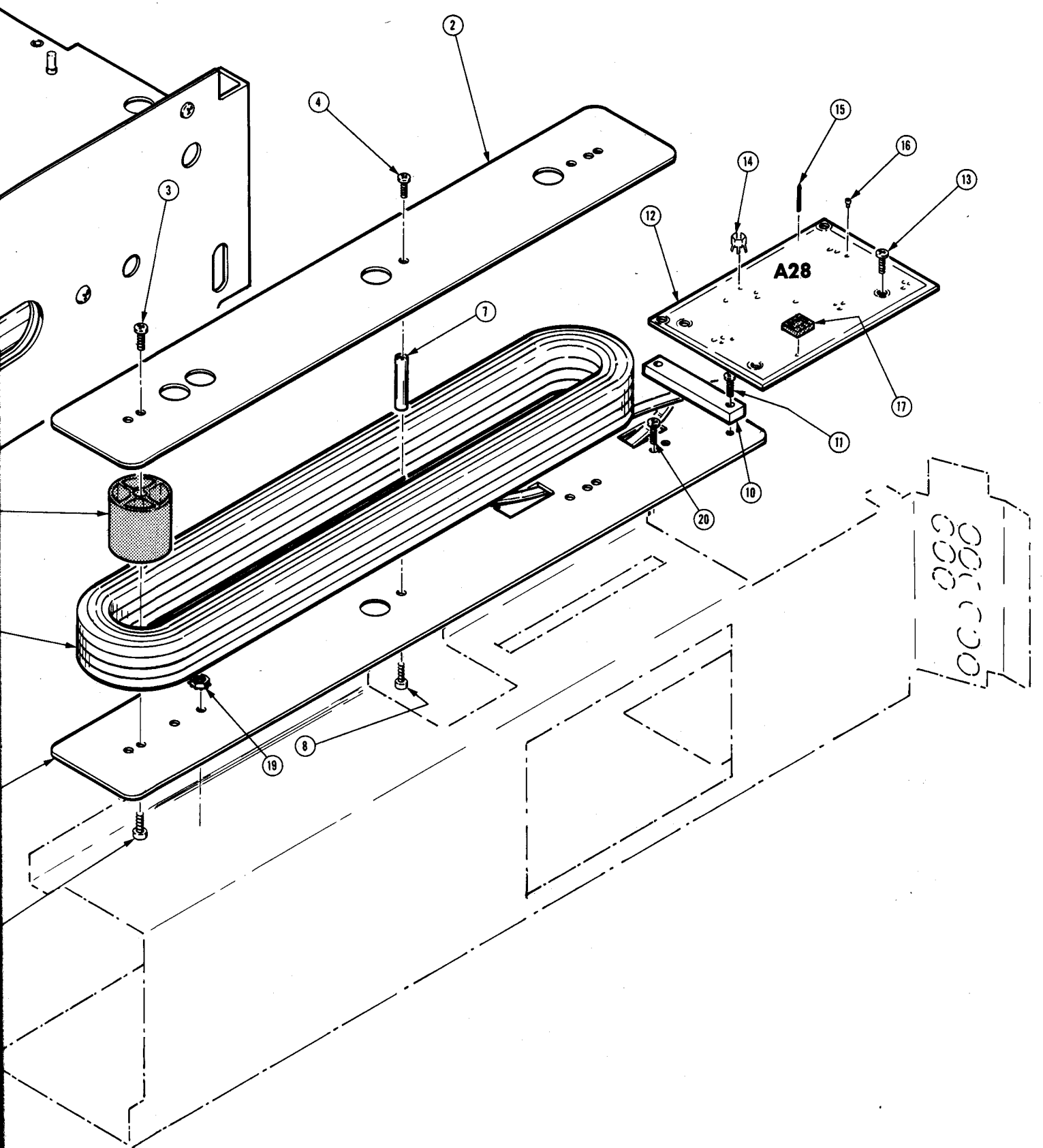


Fig. & Index No.	Tektronix Part No.	Serial/Model No. Eff	Dscont	Qty	1	2	3	4	5	Name & Description	Mfr Code	Mfr Part Number
-1	-----	-----		1						DELAY LINE, ELEC:(SEE DL1165 EPL)		
-2	386-3729-00			1						. DELAY LINE, ELEC:(SEE DL592 EPL)		
-3	213-0236-00			1						. PLATE, DLY LINE:HORIZONTAL, TOP (ATTACHING PARTS)	80009	386-3729-00
-4	211-0007-00			1						. SCR, TPG, THD FOR:6-32 X 0.25 INCH, STL	83385	OBD
-5	129-0215-01			1						. SCREW, MACHINE:4-40 X 0.188 INCH, PNH STL	83385	OBD
-6	213-0236-00			2						. SPACER, POST:0.875 LONG X 1.0 OD (ATTACHING PARTS FOR EACH)	80009	129-0215-01
-7	129-0080-00			1						. SCR, TPG, THD FOR:6-32 X 0.25 INCH, STL	83385	OBD
-8	211-0007-00			1						. POST, ELEC-MECH:0.875 INCH LONG (ATTACHING PARTS)	80009	129-0080-00
-9	175-1056-01			1						. SCREW, MACHINE:4-40 X 0.188 INCH, PNH STL	83385	OBD
-10	343-0689-00			1						. CABLE, RF:1.5 NS/FT DLY, 100 OHM	80009	175-1056-01
-11	211-0198-00			1						. CLAMP, DLY LINE:ALUMINUM (ATTACHING PARTS)	80009	343-0689-00
-12	-----	-----		2						. SCREW, MACHINE:4-40 X 0.438 PNH, STL, POS	77250	OBD
-13	211-0008-00			-						. CKT BOARD ASSY:X-Y DELAY COMP(SEE A28 EPL) (ATTACHING PARTS)		
-14	131-1003-00			3						. SCREW, MACHINE:4-40 X 0.25 INCH, PNH STL	83385	OBD
-15	131-0608-00			-						. . . CKT BOARD ASSY INCLUDES:		
-16	136-0252-04			8						. . . CONNECTOR BODY, :CKT BD MT, 2 PRONG	80009	131-1003-00
-17	136-0514-00			5						. . . TERMINAL, PIN:0.365 L X 0.25 PH, BRZ, GOLD PL	22526	47357
-18	386-3730-00			39						. . . SOCKET, PIN TERM:0.188 INCH LONG	22526	75060
-19	210-0457-00			1						. . . SOCKET, PLUG IN:MICROCIRCUIT, 8 CONTACT	82647	C93-08-18
-20	211-0504-00			1						. PLATE, DLY LINE:HORIZONTAL, BOTTOM (ATTACHING PARTS)	80009	386-3730-00
				1						. NUT, PLAIN, EXT W:6-32 X 0.312 INCH, STL	83385	OBD
				1						. SCREW, MACHINE:6-32 X 0.25 INCH, PNH STL	83385	OBD



186
 185
 184
 183
 182
 181
 180
 179
 178
 177
 176
 175
 174
 173
 172
 171
 170
 169
 168
 167
 166
 165
 164
 163
 162
 161
 160
 159
 158
 157
 156
 155
 154
 153
 152
 151
 150
 149
 148
 147
 146
 145
 144
 143
 142
 141
 140
 139
 138
 137
 136
 135
 134
 133
 132
 131
 130
 129
 128
 127
 126
 125
 124
 123
 122
 121
 120
 119
 118
 117
 116
 115
 114
 113
 112
 111
 110
 109
 108
 107
 106
 105
 104
 103
 102
 101
 100
 99
 98
 97
 96
 95
 94
 93
 92
 91
 90
 89
 88
 87
 86
 85
 84
 83
 82
 81
 80
 79
 78
 77
 76
 75
 74
 73
 72
 71
 70
 69
 68
 67
 66
 65
 64
 63
 62
 61
 60
 59
 58
 57
 56
 55
 54
 53
 52
 51
 50
 49
 48
 47
 46
 45
 44
 43
 42
 41
 40
 39
 38
 37
 36
 35
 34
 33
 32
 31
 30
 29
 28
 27
 26
 25
 24
 23
 22
 21
 20
 19
 18
 17
 16
 15
 14
 13
 12
 11
 10
 9
 8
 7
 6
 5
 4
 3
 2
 1

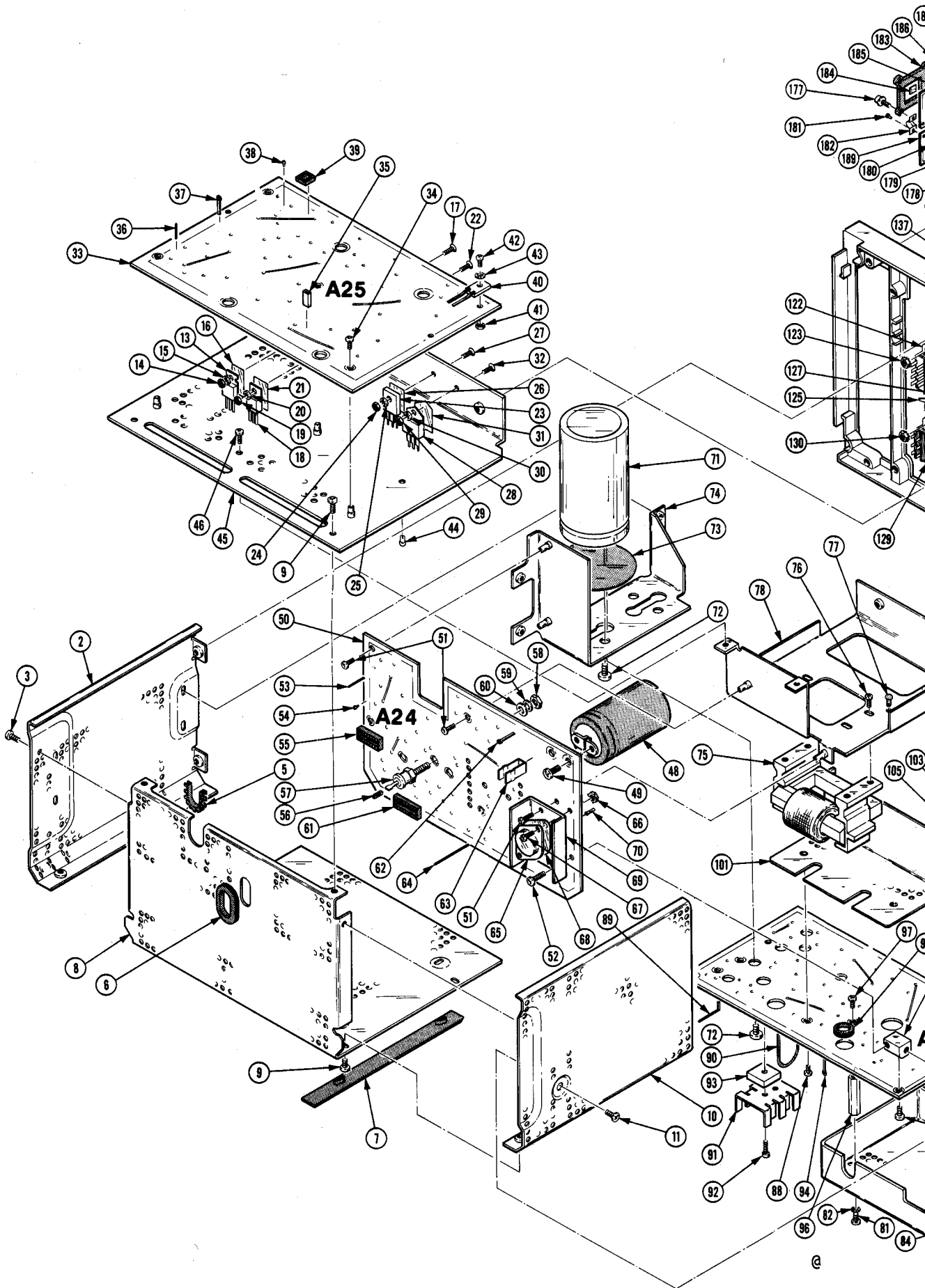
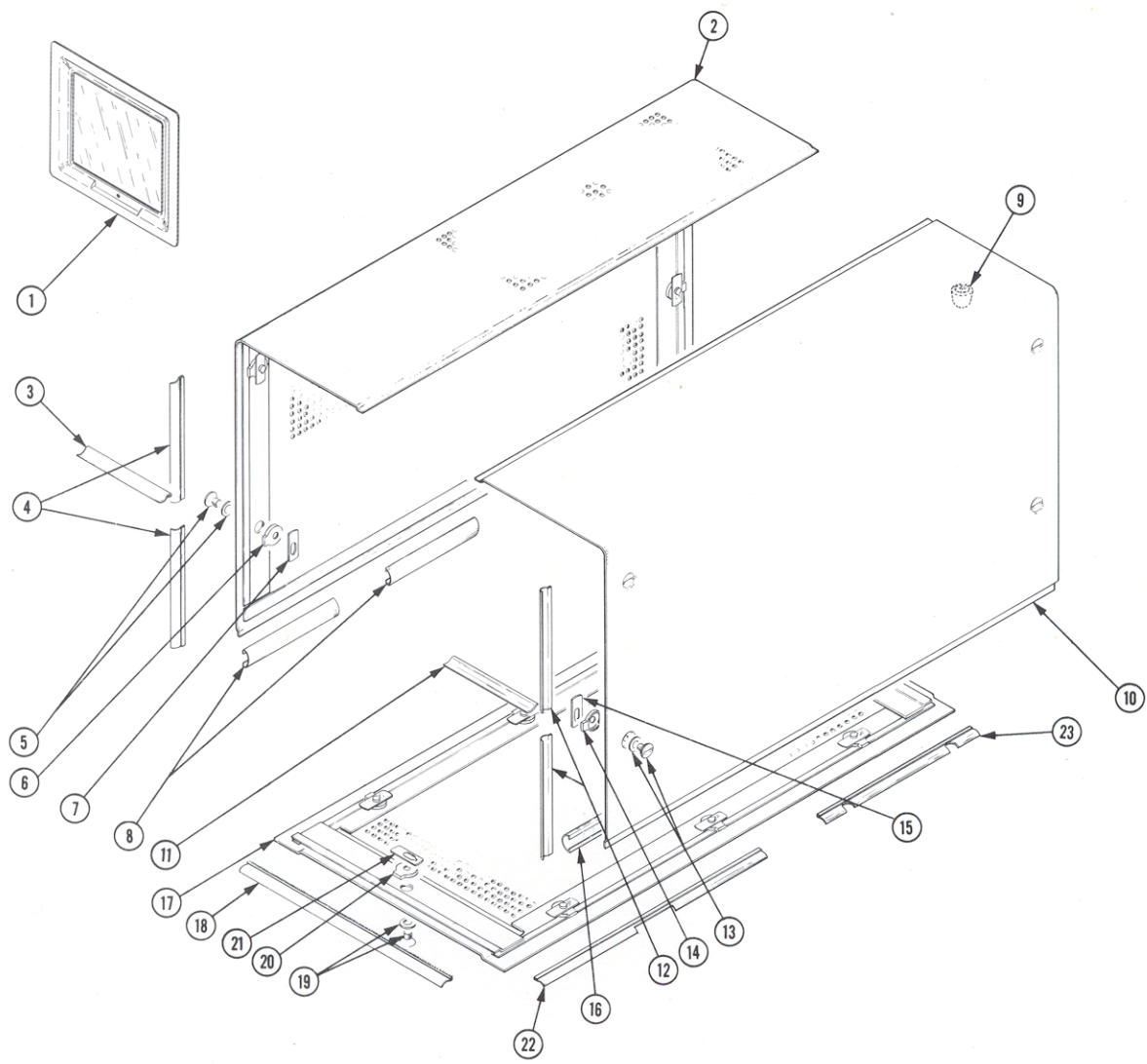


Fig. & Index No.	Tektronix Part No.	Serial/Model No. Eff Dscont	Qty	1	2	3	4	5	Name & Description	Mfr Code	Mfr Part Number
-1	378-0603-00		1						FILTER,MESH:EMI	80009	378-0603-00
-2	390-0606-00		1						CAB. SIDE,SCOPE:LEFT,EMI	80009	390-0606-00
-3	348-0332-00		2						. SHLD,GSKT,ELEC:4.285 INCH LONG	80009	348-0332-00
-4	348-0334-00		4						. SHLD,GSKT,ELEC:7.64 INCH LONG	80009	348-0334-00
-5	214-0603-02		4						. PIN ASSY,SECRG:	80009	214-0603-02
-6	386-1634-00		4						. PL,LATCH INDEX:PLASTIC	80009	386-1634-00
-7	386-1633-00		4						. PL,LATCH LKG:	80009	386-1633-00
-8	348-0336-00		4						. SHLD,GSKT,ELEC:9.625 INCH LONG	80009	348-0336-00
-9	348-0080-01		1						FOOT,CABINET:BOTTOM	80009	348-0080-01
-10	390-0604-00		1						CAB. SIDE,SCOPE:RIGHT,EMI	80009	390-0604-00
-11	348-0332-00		2						. SHLD,GSKT ELEC:4.285 INCH LONG	80009	348-0332-00
-12	348-0333-00		4						. SHLD,GSKT,ELEC:4.8 INCH LONG	80009	348-0333-00
-13	214-0603-02		4						. PIN ASSY,SECRG:	80009	214-0603-02
-14	386-1634-00		4						. PL,LATCH INDEX:PLASTIC	80009	386-1634-00
-15	386-1633-00		4						. PL,LATCH LKG:	80009	386-1633-00
-16	348-0336-00		4						. SHLD,GSKT,ELEC:9.625 INCH LONG	80009	348-0336-00
-17	390-0554-00		1						CABINET,BOTTOM:	80009	390-0554-00
-18	348-0274-02		2						. SHLD GSKT,ELEC:FINGER TYPE,10.55	80009	348-0274-02
-19	214-0603-02		6						. PIN ASSY,SECRG:	80009	214-0603-02
-20	386-1634-00		6						. PL,LATCH INDEX:PLASTIC	80009	386-1634-00
-21	386-1633-00		21						. PL,LATCH LKG:	80009	386-1633-00
-22	348-0335-00		6						. SHLD,GSKT,ELEC:8.65 INCH LONG	80009	348-0335-00
-23	348-0334-00		2						SHLD,GSKT,ELEC:7.64 INCH LONG	80009	348-0334-00



7104 OSCILLOSCOPE

OPTION 3

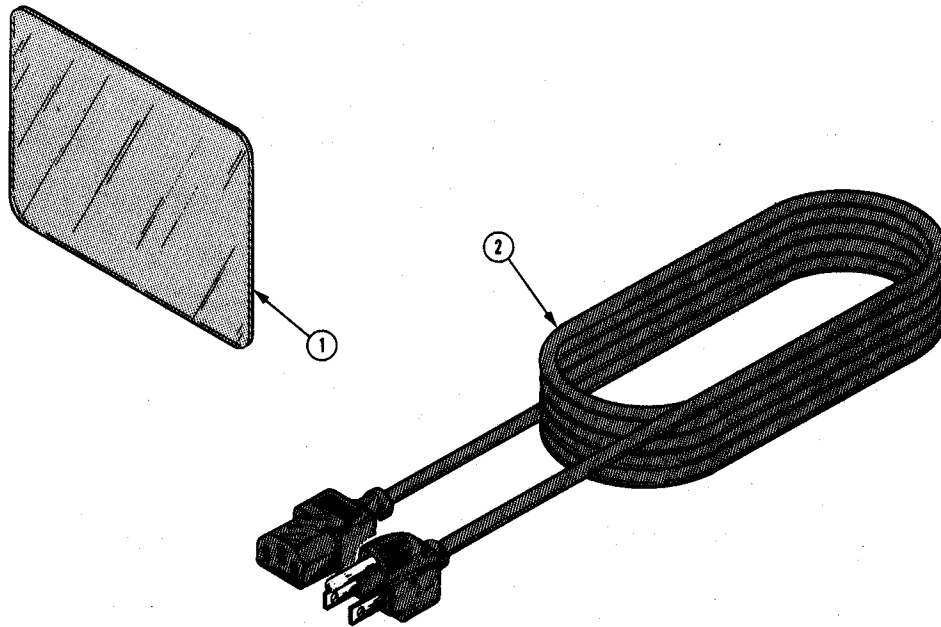


Fig. &
Index
No.

Tektronix
Part No.
-1 378-0625-00
-2 161-0066-00
070-2314-00
070-2315-00

Serial/Model No.
Eff Dscont

Qty 1 2 3 4 5

Name & Description

Mfr
Code

Mfr Part Number

-1	378-0625-00			1					FILTER, LT, CRT: BLUE, 5.15 X 4.4 X 0.03	80009	378-0625-00
-2	161-0066-00			1					CABLE ASSY, PWR, : 3 WIRE, 98 INCH LONG	80009	161-0066-00
	070-2314-00			1					MANUAL, TECH: INSTRUCTION	80009	070-2314-00
	070-2315-00			1					MANUAL, TECH: OPERATORS	80009	070-2315-00